

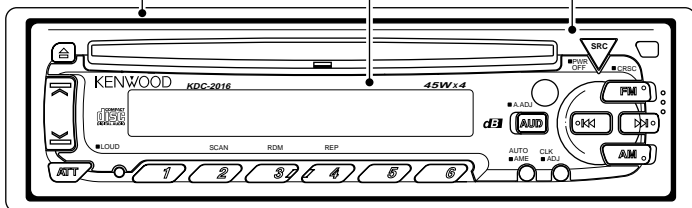
# KDC-2016/215S

# KDC-35MR

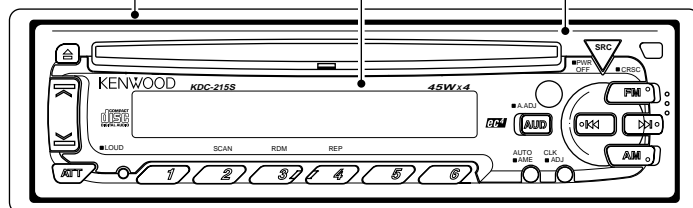
## SERVICE MANUAL

Extension cord	Parts No.
CD mechanism(22P)	W05-0618-00

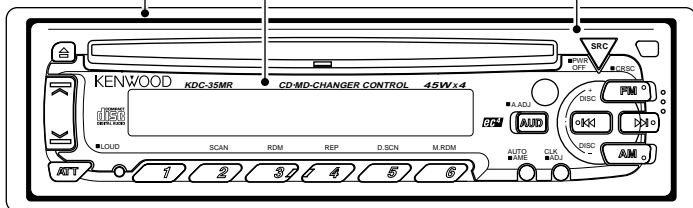
Escutcheon (B07-2181-02)    Front glass (B10-3125-01)    Panel assy (A64-1891-02)



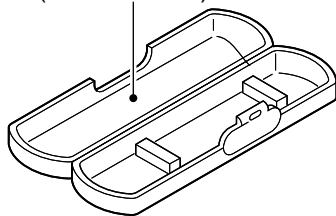
Escutcheon (B07-2181-02)    Front glass (B10-3122-01)    Panel assy (A64-1888-02)



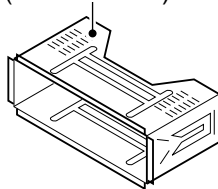
Escutcheon (B07-2169-02)    Front glass (B10-3123-11)    Panel assy (A64-1889-02)



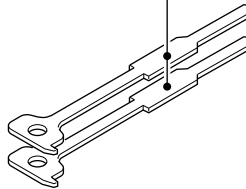
Plastic cabinet assy (A02-1486-13)



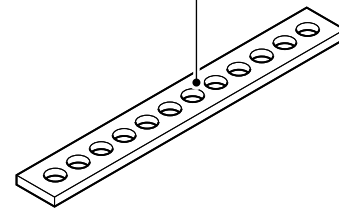
Mounting hardware assy (J21-9491-03)



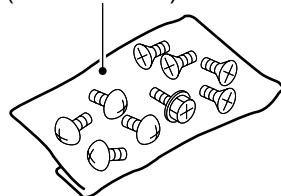
Lever x2 (D10-3031-04)



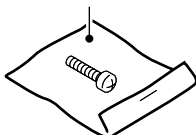
Stay (J54-0606-04)



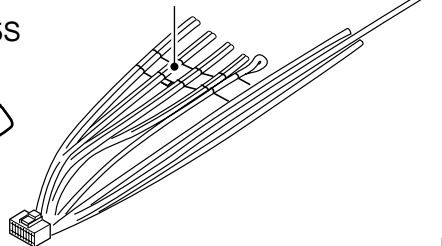
Screw set (N99-1632-05)



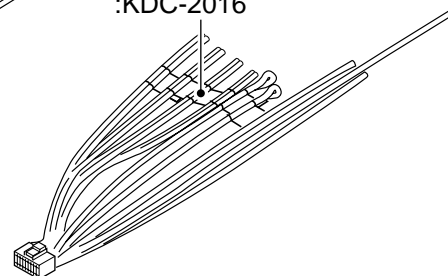
Screw set (N99-1610-15)  
:KDC-2016/215S



DC cord (E30-4783-05)  
:KDC-215S/35MR



DC cord (E30-4784-05)  
:KDC-2016



The MECHANISM OPERATION DESCRIPTION is the same as model KDC-S3007 and KDC-5050RG. Please refer to the service manual for model KDC-S3007(B51-7029-00) or KDC-5050RG(B51-7099-00).

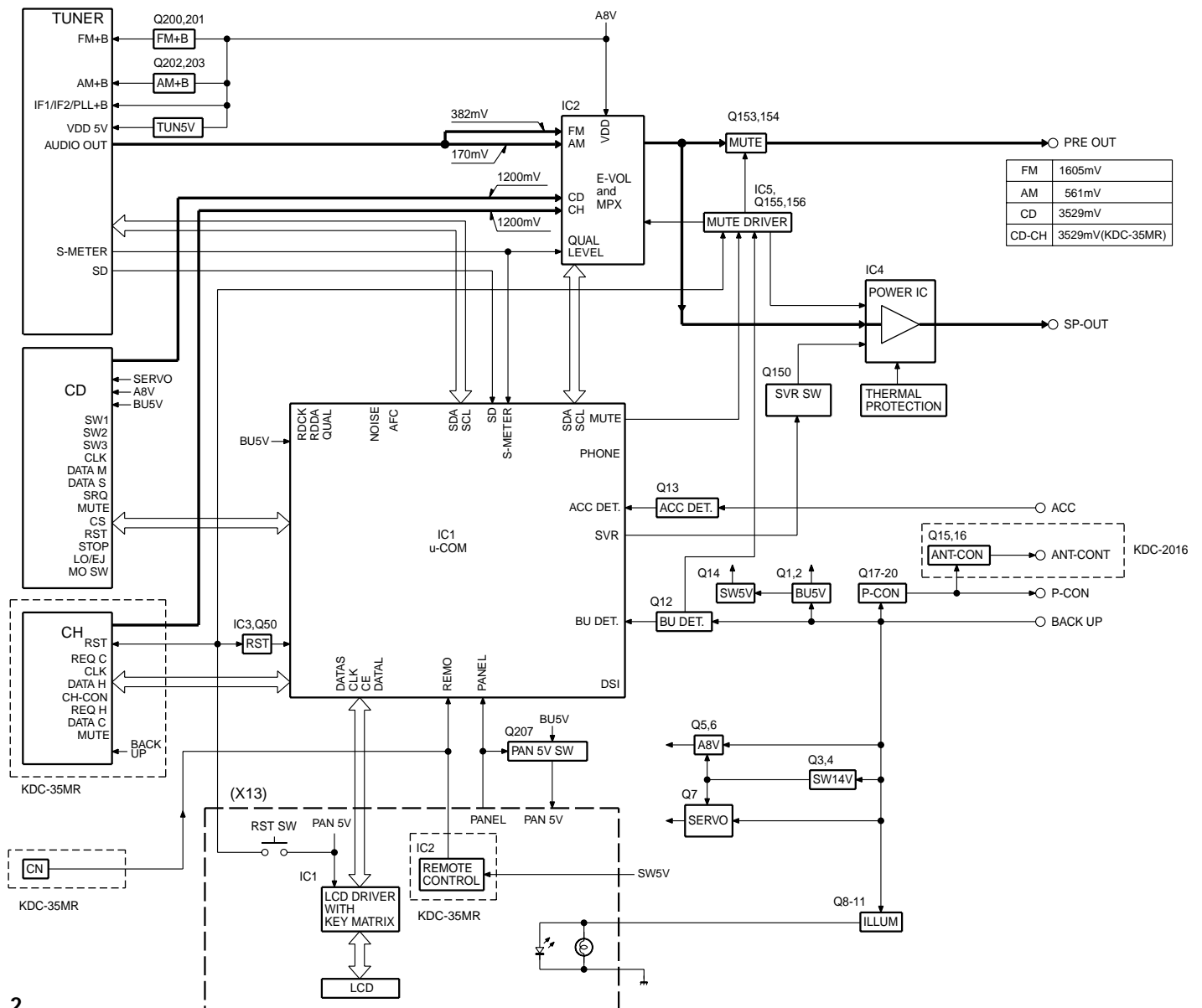


# KDC-2016/215S/35MR

## CONTENTS

BLOCK DIAGRAM .....	2
COMPONENTS DESCRIPTION .....	3
TERMINAL DESCRIPTION .....	5
ADJUSTMENT .....	7
PC BOARD .....	8
SCHEMATIC DIAGRAM .....	15
EXPLODED VIEW .....	23
PARTS LIST .....	26
SPECIFICATIONS .....	BACK COVER

## BLOCK DIAGRAM



# KDC-2016/215S/35MR

## COMPONENT DESCRIPTION

### ●SWITCH UNIT(X13-9680-1X)

Ref.No.	Component Name	Application/Function	Operation/Condition/Compatibility
IC1	LC75853NE	LCD driver with key-matrix	
IC2	RS-171	Remote control light sensor	
Q1	DTA114EKorUN2111	key-matrix permission SW	Ready on key-matrix

### ●ELECTRIC UNIT(X25-8430-XX)

Ref.No.	Component Name	Application/Function	Operation/Condition/Compatibility
IC1	UPD780058GC130	System MI-COM.	
IC1	UPD780058GC144	System MI-COM.	
IC2	TDA7400D	E-VOL. & N.C. MPX	
IC3	PST9130NR	Reset IC	"Lo": Detection voltage below 3.0V
IC4	TDA7386	Power IC	
IC5	HD74HC27FP	Mute logic	3 input NOR gate x3
Q1	2SB1565F(E,F)	BU 5V AVR	Inverted darlington connection
Q2	2SC1740S		ON during BU applied
Q3	DTA124EKorUN2112	SW14V	Audio 8V AVR and Servo AVR ON/OFF control
Q4	DTC144EKorUN2213		Q3 is turned ON when Q4's base goes "Hi".
Q5	2SB1184	Audio 8V AVR	Q5 is turned ON when Q6's base goes "Hi".
Q6	2SC1740S		Inverted darlington connection
Q7	2SD2396F40	Servo AVR	ON when the base goes "Hi".
Q8	DTC144EKorUN2213	Illumination AVR	Q10 is turned ON when Q8's base goes "Hi".
Q9	DTA124EKorUN2112		
Q10	2SB1184		
Q11	2SC1740S		
Q12	2SC1740S	BU detection(Momentary power down detection)	ON when the base goes "Hi" during BU applied.
Q13	2SC1740S	ACC detection	ON when the base goes "Hi" during ACC applied.
Q14	2SA1036K	SW 5V	ON when the base goes "Lo".
Q15	2SB1277(Q,R)	P-ANT SW	Q15 is turned ON when Q16's base goes "Hi".
Q16	DTC114YKorUN2214		ON during FM/AM reception
Q17	2SB1277(Q,R)	P-CON SW	Q17 is turned ON when Q20's base goes "Hi".
Q20	DTC114YKorUN2214		ON while power is on or CD loading/eject.
Q18	2SA1037K	P-CON protection	Protect Q17 by turning ON when P-CON output is grounded.
Q19	DTA124EKorUN2112		Prevents Q18 tuning ON during start-up after power ON.
Q50	DTC144EKorUN2213	RESET SW	System RESET is activated when the panel reset SW is pressed.
Q150	DTC114YKorUN2214	SVR SW	POWER IC RESET is activated when the base goes "Hi".
Q153	DTC143TKorUN2216	Audio mute SW	Audio pre-outs are muted when the base goes "Hi".
Q154	DTC143TKorUN2216		
Q155	DTA124EKorUN2112	Mute driver for Audio mute SW	ON when the base goes "Lo".
Q156	DTC144EKorUN2213	E-VOL. mute SW	E-VOL. is muted when the base goes "Hi".
Q200	2SB1277(Q,R)	FM+B SW	Q200 is turned ON when Q201's base goes "Hi".
Q201	DTC124EKorUN2212		ON during FM reception
Q202	2SB1277(Q,R)	AM+B SW	Q202 is turned ON when Q203's base goes "Hi".
Q203	DTC124EKorUN2212		ON during AM reception
Q207	2SA1037K	Panel detection SW	ON when the base goes "Lo" during the panel closed.

# KDC-2016/215S/35MR

## COMPONENT DESCRIPTION

### ●CD PLAYER UNIT(X32-4600-00)

Ref.No.	Component Name	Application/Function	Operation/Condition/Compatibility
IC1	AN8806SB	RF amplifier	Generation of RF signal based on the signals from the APC circuit and pickup, and generation of servo error(focusing error and tracking error) signals. Detection of dropout, anti-shock, track crossing and off-track conditions.
IC2	MN662770KA7	CD signal processor built-in MI-COM.	Focusing,tracking,sled and spindle servo processing. Auto matic adjustment(focusing, tracking, gain, offset and balance) operations. Digital signal processing(DSP, PLL, sub-codes, CIRC error correction, audio data interpolation) operations.
IC4	BA5917AFP	BTL driver	Focusing coil, tracking coil, spindle motor and sled motor driver
IC5	TA78L05F	5V AVR	
IC6	NJM4565MD	Low pass filter	
Q1	2SA1362(Y)	APC	LD power control
Q2	DTC124EUA	POWER SW	Power on during the source selected CD
Q3	2SA1362(Y)	A.8V SW	A8V line ON/OFF control
Q4	2SA1362(Y)	D.5V SW	D5V line ON/OFF control
Q5	DTC124EUA	MOTOR ON SW	Power on during CD roading or eject action
Q6	2SA1576A	TE LEVEL SW	OFF during CDR play

## TERMINAL DESCRIPTION

### ●Terminal description

Pin No.	Pin Name	I/O	Description	Processing Operation
1	AV CONT	O	A/D converter reference voltage control output	"Hi": ON / "Lo": OFF
2	IC2 TYPE0	I	IC2 setting terminal	"Lo": Initial value
3	IC2 TYPE1	I	IC2 setting terminal	"Lo": Initial value
4	AVSS	-	Ground connection terminal	connected to GND
5	M MUTEL	I	Muting request from the MICOM. of CD mecha.	"Lo": Mute request
6	N.C	O	Not used	
7	AVREF1	I	D/A converter reference voltage input	
8	ILLUMI	O	Illumination AVR ON/OFF control output	"Hi": AVR ON
9	L RES	O	Reset output to the LCD driver IC	"Lo": Reset
10	PANEL	I	Panel open/close detection input	"Lo": Panel closed
11	L DATAL	I	Data input from the LCD driver IC	
12	L DATAS	O	Data output to the LCD driver IC	
13	L CLK	O	Clock output to the LCD driver IC	
14	N.C	O	Not used	
15	N.C	O	Not used	
16	CH-DATAC	I	Data input from changers	
17	CH-DATAH	O	Data output to changers	
18	CH-CLK	I/O	Clock input/output with changers	
19	L CE	O	CE output to the LCD driver IC	"Hi": Active
20	N.C	O	Not used	
21	M RST	O	Reset output to the MICOM. of CD mecha.	"Lo": Reset
22	M STOP	O	Stop request to the MICOM. of CD mecha.	"Lo": Stop
23	MOSW	O	CD mechanism loading motor control output	"Hi": Loading & Eject / "Lo": other
24	PLL SCL	O	Clock output to the tuner pack	
25	AM+B	O	AM+B control	"Hi": during AM reception
26	FM+B	O	FM+B control	"Hi": during FM reception
27	M-SCL	I/O	Clock input/output with the MICOM. of CD mecha.	
28	DSI	O	DSI output	"Hi": LED ON
29	LO/EJ	I/O	CD mecha.Loading/Eject switching output	"Lo": Loading / "Hi": Eject
30	SW3	I	Down & limit switch detection input	"Hi": Chucking / "Lo": Pickup most inner position
31	R DATA	I	Data input from RDS decoder	
32	R QUAL	I	Quality input from RDS decoder	
33	VSS1	-	Ground connection terminal	connected to GND
34	SD	I	SD input from the tuner pack	"Hi": Station detected
35	IC2 SCL	O	Clock output to the E-VOL. IC	
36	M-SDA	I/O	Data input/output with the MICOM. of CD mecha.	
37	PLL SDA	I/O	Data input/output with the tuner pack	
38	IC2 SDA	I/O	Data input/output with the E-VOL. IC	
39	MUTE	O	Mute control output	"Hi": Mute ON / "Lo": Mute OFF
40	N.C	O	Not used	

## TERMINAL DESCRIPTION

### ●Terminal description

Pin No.	Pin Name	I/O	Description	Processing Operation
41	AFC	O	AFC control output	"Lo": during FM seek
42	CH-REQH	O	Request output to changers	"Lo": Request
43	CH-CON	O	Changer control	"Lo": Standby / "Hi": ON
44	N.C	O	Not used	
45	P MUTE	O	Power IC mute control	"Lo": Mute
46	SVR	O	Power IC reset terminal	When the momentary power down ,after ACC OFF/ON is detected and after POWER ON/OFF , the output goes "Hi" temporarily.
47	STBY	O	Power IC standby control output	"Hi": POWER ON mode
48	P CON	O	Power control	"Hi": POWER ON mode except ALL OFF mode
49	P ANT	O	Antenna control	"Hi": during FM/AM reception
50	BEEP	O	BEEP sound output	
51	ACC DET	I	ACC detection input	"Hi": ACC OFF / "Lo": ACC ON
52	BU DET	I	Momentary power down detection input	"Hi": When momentary power down detected or BU OFF / "Lo": BU ON
53	N.C	O	Not used	
54	N.C	O	Not used	
55	N.C	O	Not used	
56	SW5	O	SW 5V control	"Lo": POWER ON mode
57	P ON	O	Microprocessor peripheral power supply control terminal	"Hi": ACC ON or during CD Loading/Eject
58	TYPE2	I	Destination type input terminal 2	
59	N.C	O	Not used	
60	RESET	I	Reset input terminal	"Lo": System reset
61	REMO	I	Data input from the remote control light sensor	
62	R CLK	I	Clock input from RDS decoder	
63	CH-REQC	I	Request input from changers	"Hi": Request
64	SW1	I	Loading detection	"Lo": CD chucking
65	KEY-REQ	I	Key request terminal	"Lo": Request
66	SW2	I	12cm disc detection terminal	"Lo": 12cm disc
67	VSS0	-	Ground connection terminal	connected to GND
68	VDD1	-	VDD connection terminal	
69	X2	-	Main clock resonator connection terminal	
70	X1	I	Main clock resonator connection terminal	
71	IC(TEST)	-	Not used	connected to GND
72	XT2	-	Sub clock resonator connection terminal	N.C.
73	N.C	I	Sub clock resonator connection terminal	connected to BU5V lines
74	VDD0	-	VDD connection terminal	
75	AVREF0	I	A/D converter reference voltage input	

## TERMINAL DESCRIPTION / ADJUSTMENT

Pin No.	Pin Name	I/O	Description	Processing Operation
76	SMETER	I	S-meter input from the tuner pack	
77	PHONE	I	PHONE detection input	1V or less: TEL MUTE, 2.5V or greater: NAVI MUTE
78	NOISE	I	Noise detection input	
79	TYPE0	I	Destination type input terminal 0	
80	TYPE1	I	Destination type input terminal 1	

### ●ADJUSTMENT

#### TEST MODE

##### 1. To enter test mode

While holding the "FM" key and preset "6" key, reset the unit.  
All indication segments are ON at the beginning of test mode.

##### 2. To release test mode

Simply reset the unit.

(NOTE) The test mode is not canceled by ACC OFF, power OFF, momentary power down or the panel detaching.

##### 3. CD receiver test mode specification

Pressing the "Track up" key jumps between tracks in the following order.

No.9 → No.15 → No.10 → No.11 → No.12 → No.13 → No.14 → No.9 (Same as the beginning)

Pressing the "Track down" key jumps to the previous track to the being played.

Pressing the preset "1" key jumps to No.28 track.

##### 4. Audio adjustment

The volume is set to -10dB (which is shown as 30).

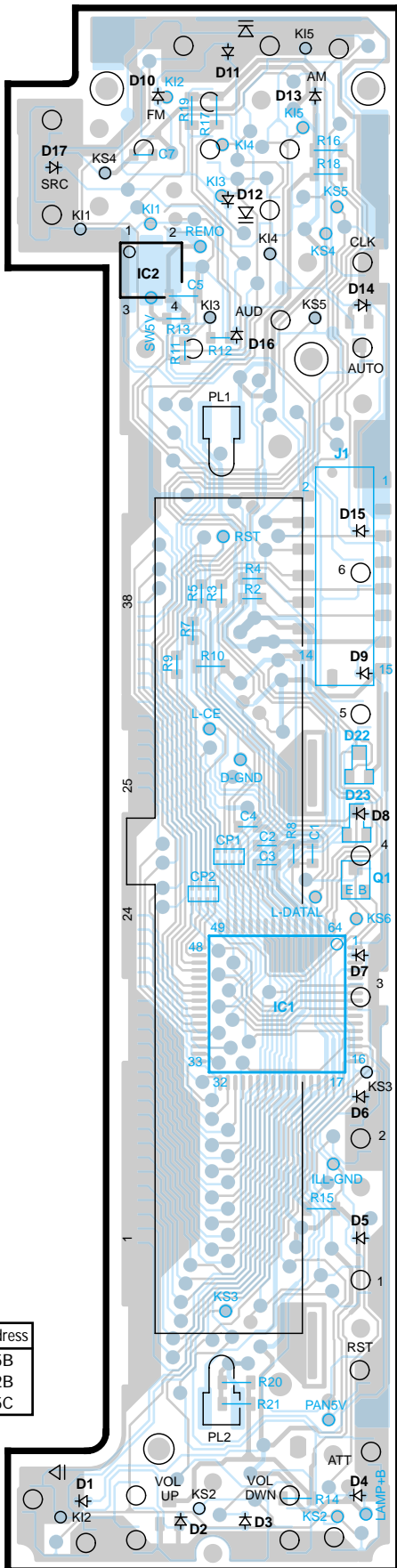
Loudness is OFF.

The BASS / TREBLE and BALANCE / FADER controls can be set to the full boost / full cut and full front / full rear respectively by pressing the "Track UP" / "Track DOWN" keys.

Sound coordination doesn't appear for the feed.

# PC BOARD (COMPONENT SIDE VIEW)

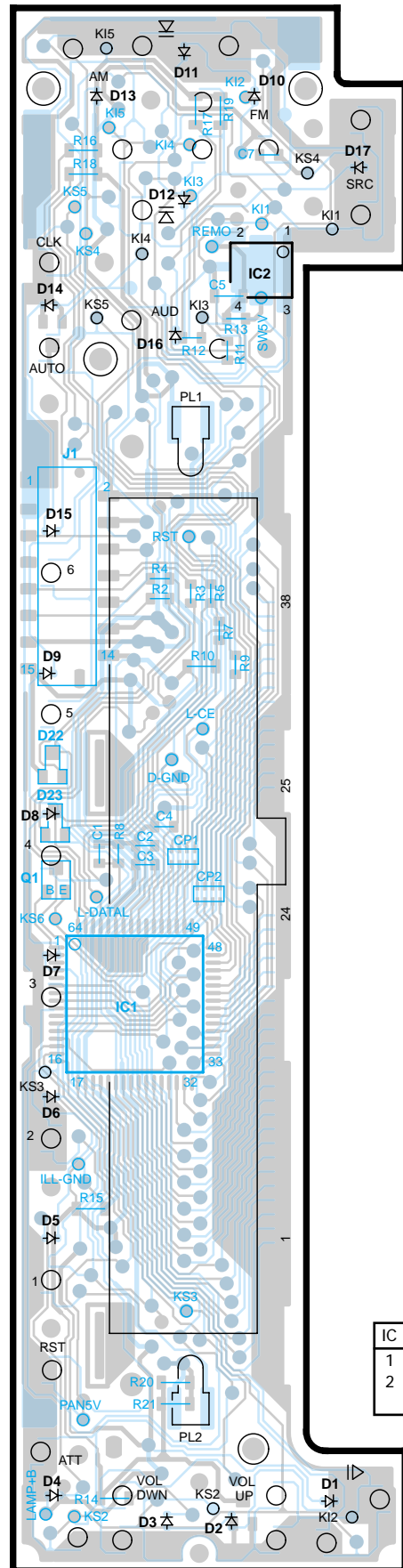
X13-9680-1X (J74-0978-12)



IC	Q	address
1		5B
2		2B
	1	5C

# (FOIL SIDE VIEW)

X13-9680-1X (J74-0978-12)



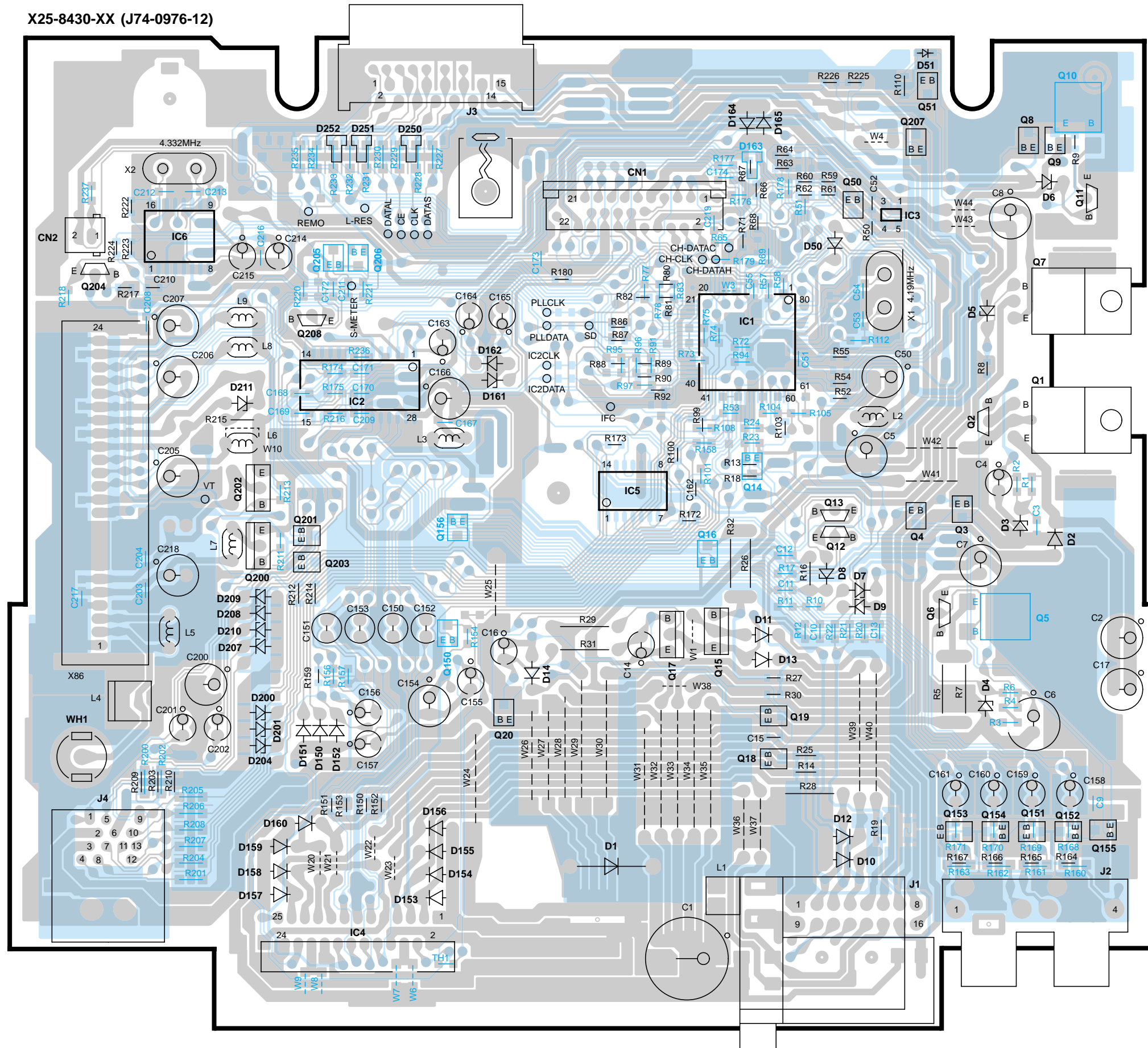
IC	Q	address
1		5D
2		2E
	1	5D

8 Refer to the schematic diagram for the values of resistors and capacitors.



# PC BOARD (COMPONENT SIDE VIEW)

X25-8430-XX (J74-0976-12)

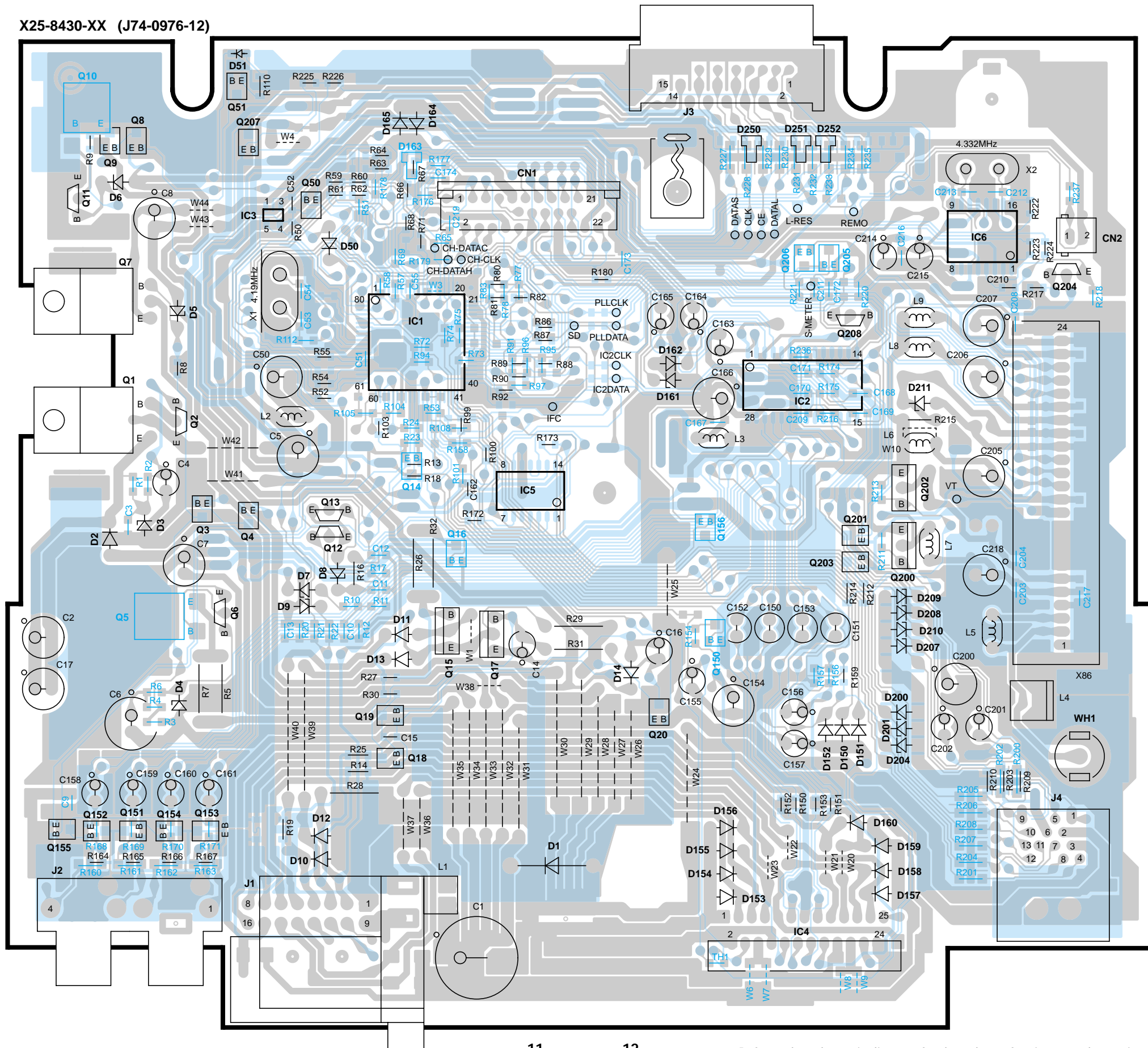


IC	Q	address
1		3L
2		3I
3		2M
4		7I
5		4K
	1	3M
	2	4M
	3	4M
	4	4M
	5	5M
	6	5M
	7	3M
	8	2M
	9	2M
	10	2N
	11	2N
	12	4L
	13	4L
	14	4L
	15	5K
	16	4K
	17	5K
	18	5L
	19	5L
	20	5J
	50	2L
150		5J
153		6M
154		6M
155		6N
156		4J
200		4I
201		4I
202		4I
203		4I
207		2M

Refer to the schematic diagram for the values of resistors and capacitors.

# PC BOARD (FOIL SIDE VIEW)

X25-8430-XX (J74-0976-12)

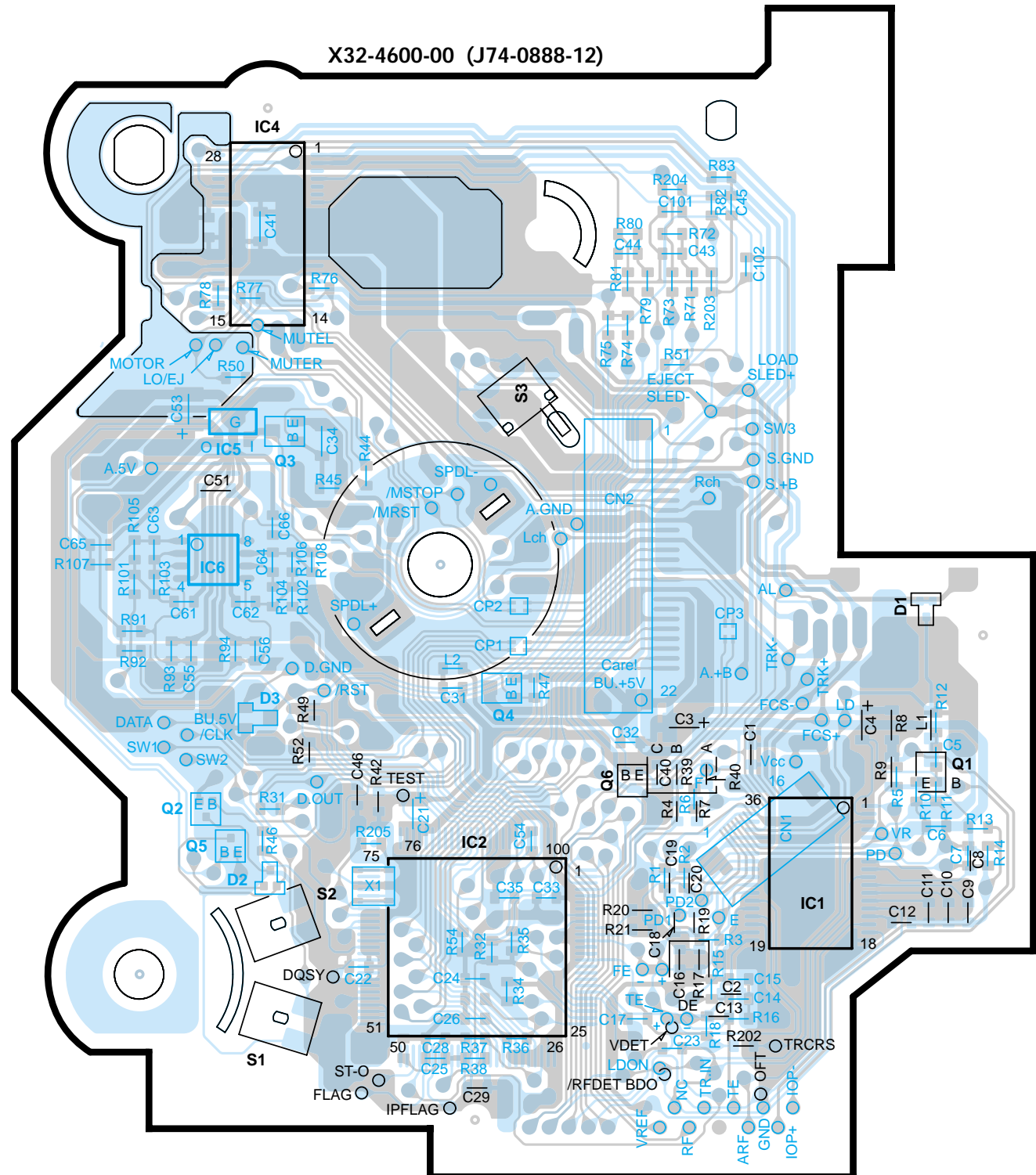
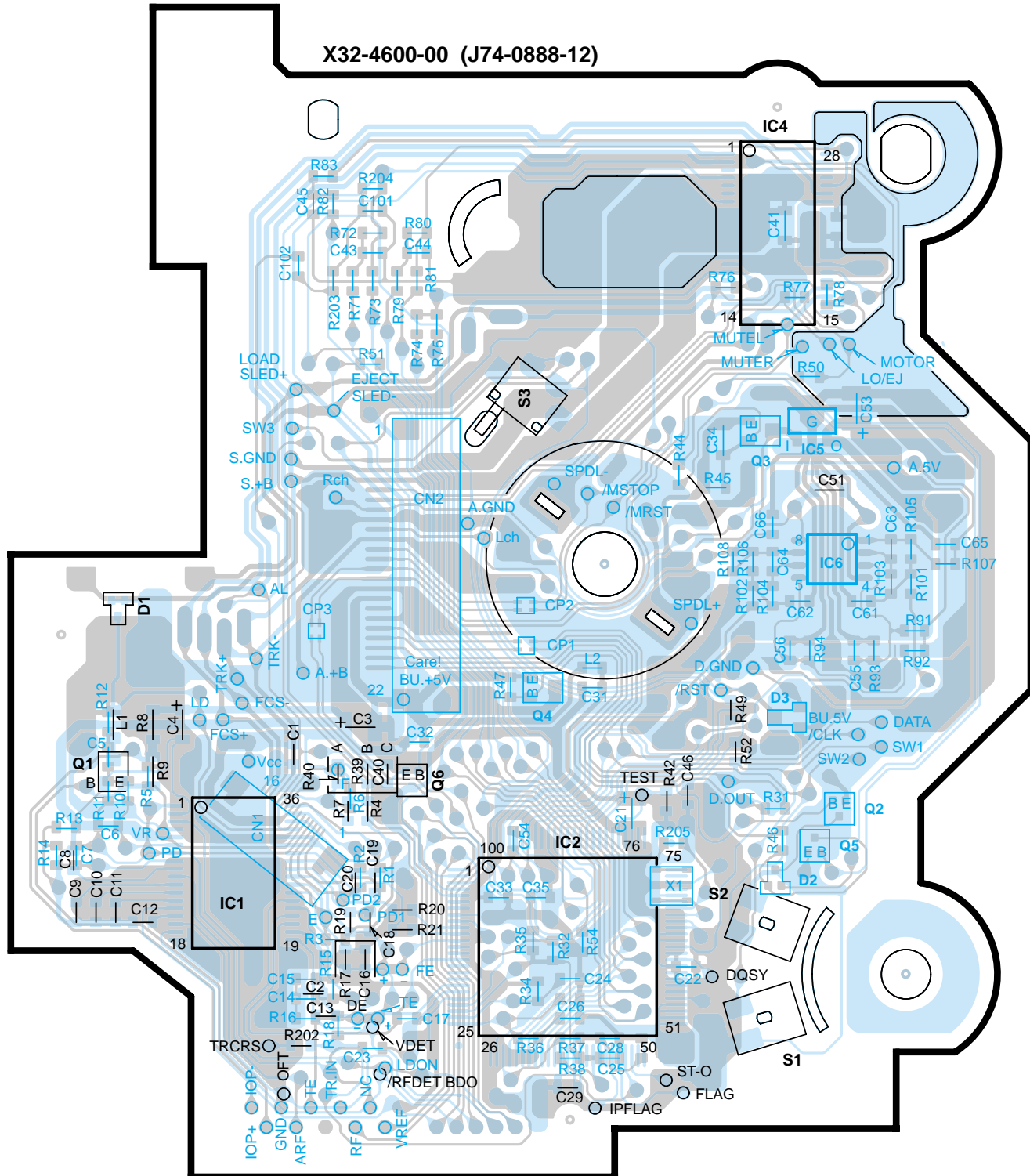


IC	Q	address
1		3T
2		3V
3		2S
4		7V
5		4T
1		3R
2		4R
3		4R
4		4S
5		5R
6		5R
7		3R
8		2R
9		2R
10		2R
11		2R
12		4S
13		4S
14		4T
15		5T
16		4T
17		5T
18		5T
19		5S
20		5U
50		2S
150		5U
153		6R
154		6R
155		6Q
156		4U
200		4V
201		4V
202		4W
203		4V
207		2S

# PC BOARD (COMPONENT SIDE VIEW)

# PC BOARD (FOIL SIDE VIEW)

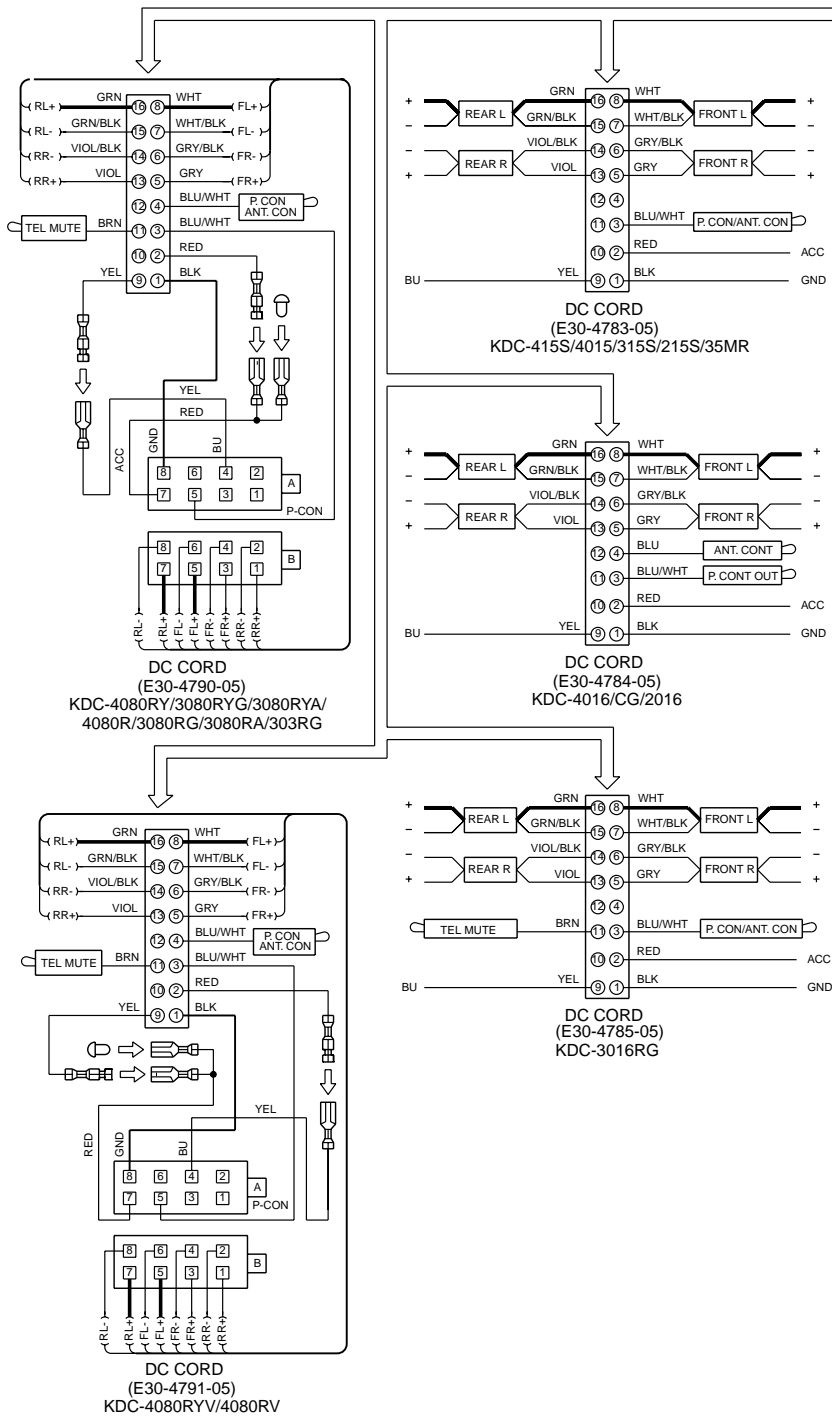
1  
2  
3  
4  
5  
6  
7



Refer to the schematic diagram for the values of resistors and capacitors.

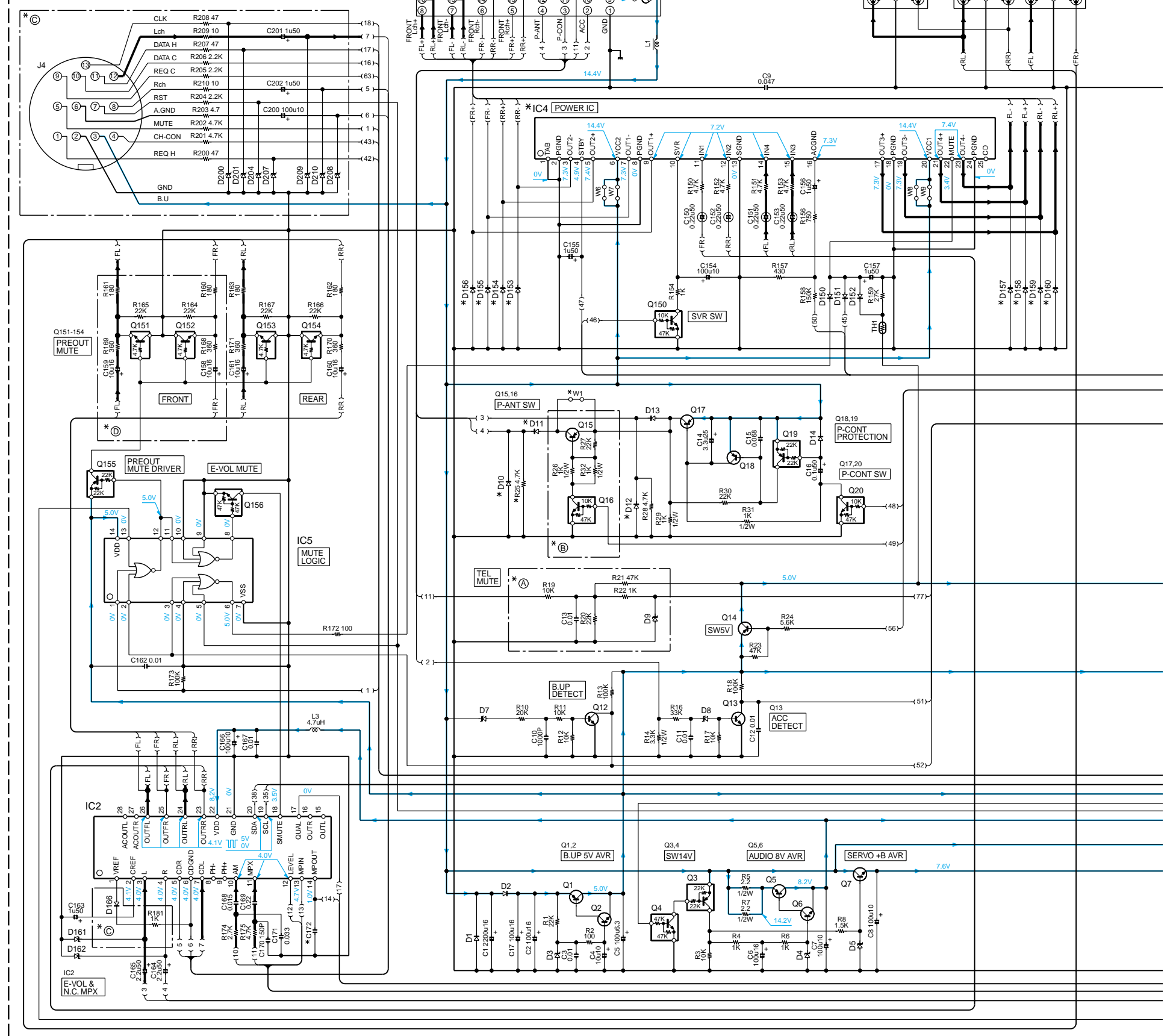
IC	1	2	4	5	6						
Q				1	2	3	4	5	6		
address	5AA	5AB	2AC	3AC	4AC	5Z	5AD	3AC	4AB	5AC	5AB

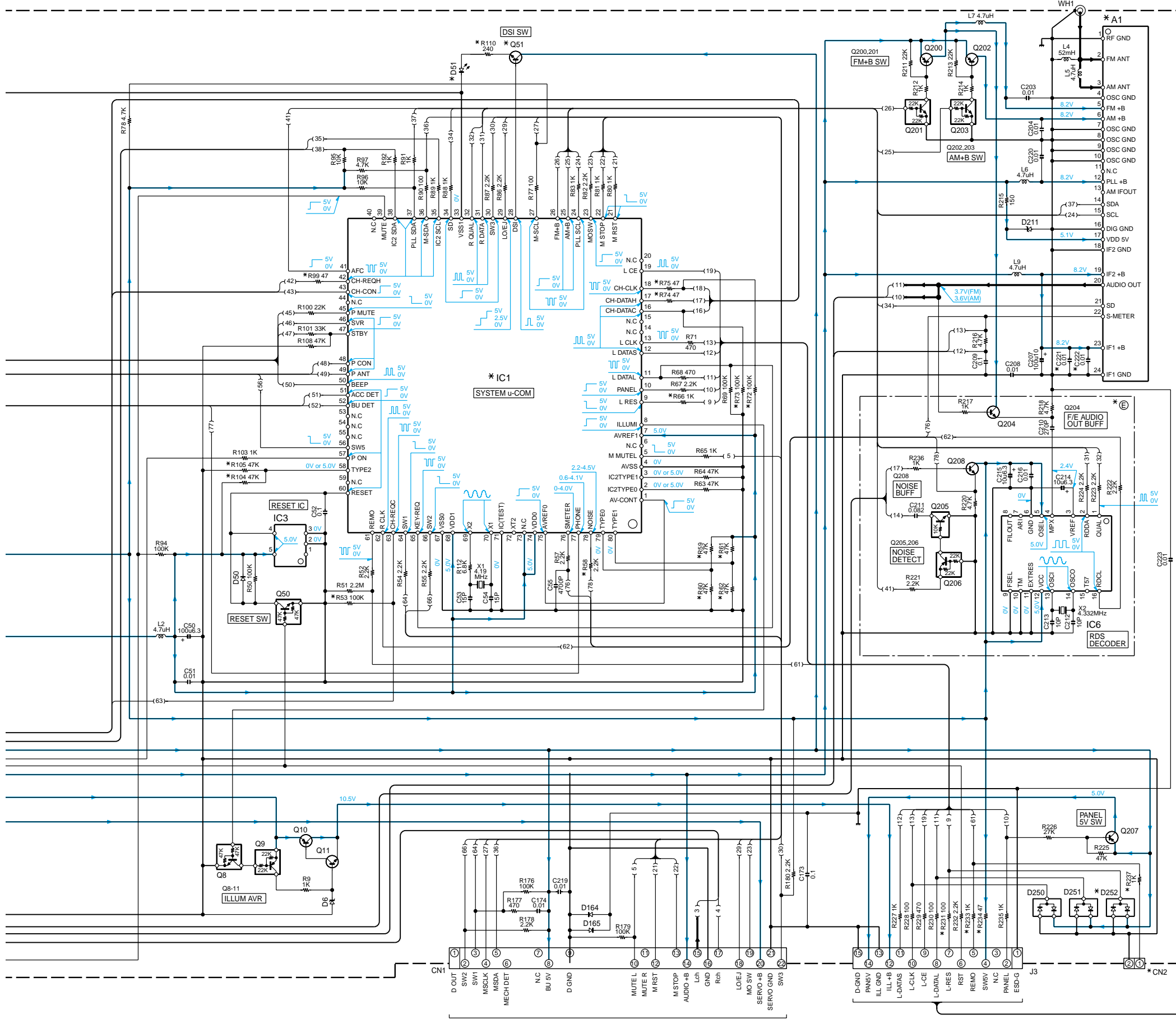
IC	1	2	4	5	6						
Q				1	2	3	4	5	6		
address	5AH	5AG	2AF	3AF	4AF	5AI	5AF	3AF	4AG	5AF	5AG



- |                    |                       |                        |                     |
|--------------------|-----------------------|------------------------|---------------------|
| IC1                | : *                   |                        |                     |
| IC2                | : TDA7400D            |                        |                     |
| IC3                | : PST9130NR           |                        |                     |
| IC4                | : *                   |                        |                     |
| IC5                | : HD74HC27FP          |                        |                     |
| IC6                | : TDA7479D            |                        |                     |
| Q1                 | : 2SB1565F(E,F)       | D1                     | : S2V20 * A         |
| Q2,6,11-13,204,208 | : 2SC1740S            | D2,10-13,153-160       | : AM01Z or ERA15-01 |
| Q3,9,19,155,206    | : DTA124EK or UN2112  | D3                     | : MA4056(N)-M       |
| Q4,8,50,156        | : DTC144EK or UN2213  | D4                     | : MA4091(N)-L       |
| Q5,10              | : 2SB1184             | D5                     | : MA4082(N)-L       |
| Q7                 | : 2SD2396F40          | D6                     | : MA4110-L          |
| Q14                | : 2SA1036K            | D7,8,161,162,209,210   | : MA4068(N)-M       |
| Q15,17,200,202     | : 2SB1277(Q,R)        | D9                     | : MA4047-M          |
| Q16,20,150         | : DTC114YK or UN2214  | D14,50,150-152,164-166 | : 1SS133            |
| Q18,207            | : 2SA1037K            | D51                    | : B30-1511-05       |
| Q51                | : 2SC2412K or 2SD601A | D250-252               | : DA204K            |
| Q151-154           | : DTC143TK or UN2216  | D200,201,204,207,208   | : MA4062-L          |
| Q201,203           | : DTC124EK or UN2212  | D211                   | : MA4051(N)-M       |
| Q205               | : DTC114TK or UN2215  |                        |                     |

(X25-84XX-XX)





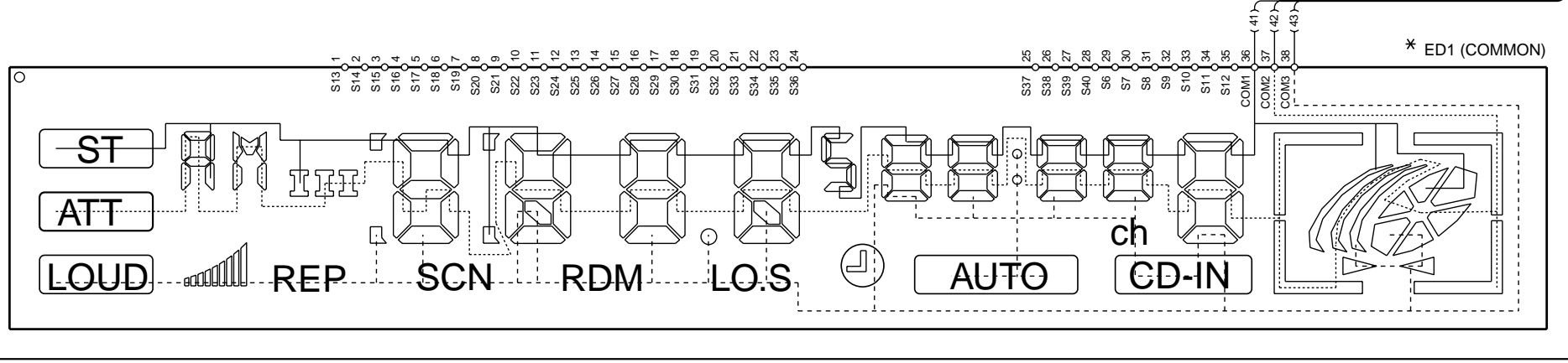
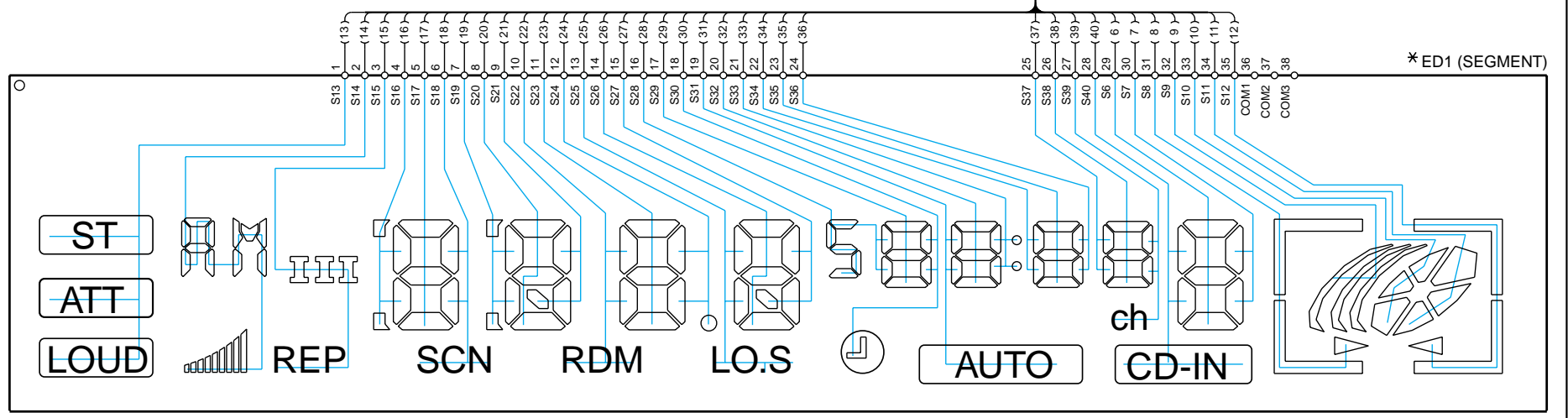
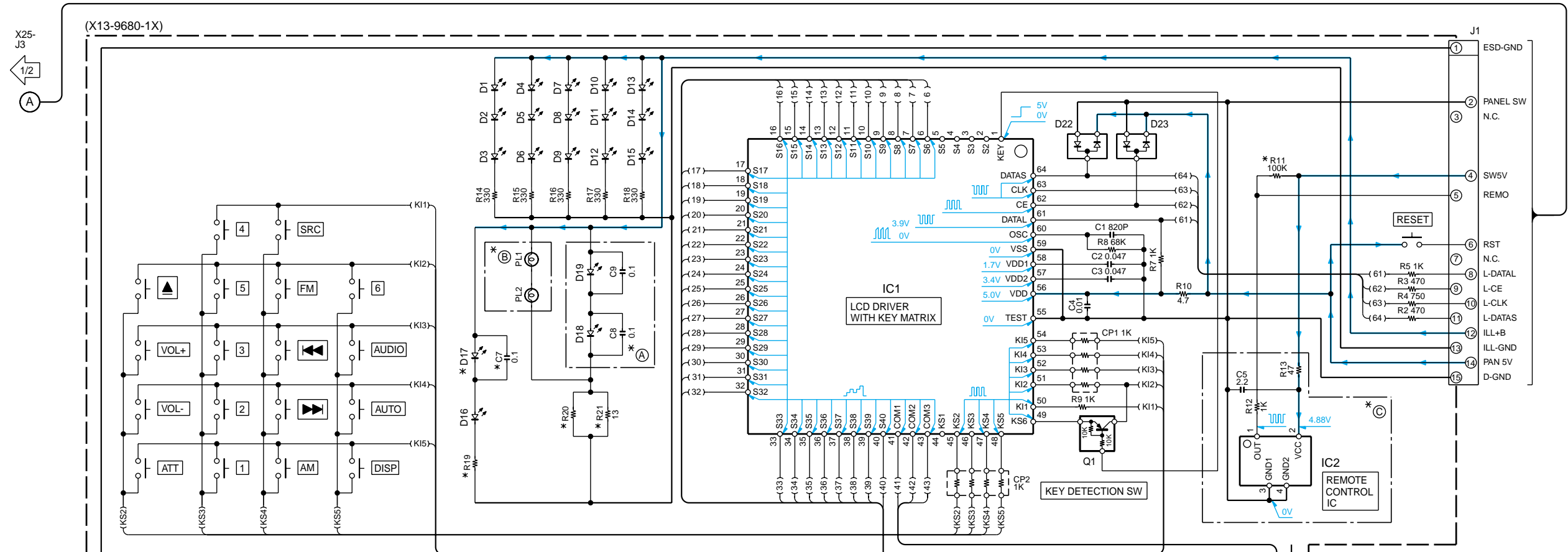
(X25-84XX-XX)

MODEL NAME	UNIT No.	Ⓐ	Ⓑ	Ⓒ	Ⓓ	Ⓔ	C172	C221	C222	CN2	D10, 11	D12	D51, 252	D153-160
KDC-415S	X25-8430-10	NO	NO	YES	YES	0.082	NO	YES	NO	NO	YES	NO	YES	NO
KDC-4015	X25-8430-11	NO	NO	YES	YES	0.082	NO	YES	NO	NO	YES	NO	YES	NO
KDC-315S	X25-8430-12	NO	NO	YES	NO	0.082	NO	YES	NO	NO	YES	NO	YES	NO
KDC-215S	X25-8430-13	NO	NO	NO	NO	0.082	NO	YES	NO	NO	YES	NO	YES	NO
KDC-35MR	X25-8430-14	NO	NO	YES	NO	0.082	NO	YES	YES	NO	YES	NO	YES	NO
KDC-4016/CG	X25-8430-21	NO	YES	YES	YES	0.082	NO	YES	NO	YES	NO	YES	NO	YES
KDC-2016	X25-8430-22	NO	YES	NO	NO	0.082	NO	YES	NO	YES	NO	YES	NO	YES
KDC-3016RG	X25-8430-23	YES	NO	NO	NO	120P	YES	NO	NO	NO	YES	NO	YES	YES
KDC-4080RV	X25-8432-71	YES	NO	YES	YES	120P	YES	NO	NO	NO	YES	NO	YES	NO
KDC-4080R	X25-8442-70	YES	NO	YES	YES	120P	YES	NO	NO	NO	YES	NO	YES	NO
KDC-4080RVY	X25-8432-73	YES	NO	YES	YES	120P	YES	NO	NO	NO	YES	NO	YES	NO
KDC-3080RYG	X25-8432-72	YES	NO	NO	NO	120P	YES	NO	NO	NO	YES	NO	YES	NO
KDC-3080RYA	X25-8432-72	YES	NO	NO	NO	120P	YES	NO	NO	NO	YES	NO	YES	NO
KDC-4080R	X25-8442-70	YES	NO	YES	YES	120P	YES	NO	NO	NO	YES	NO	YES	NO
KDC-4080RV	X25-8442-71	YES	NO	YES	YES	120P	YES	NO	NO	NO	YES	NO	YES	NO
KDC-3080RG	X25-8442-72	YES	NO	NO	NO	120P	YES	NO	NO	NO	YES	NO	YES	NO
KDC-3080RA	X25-8442-72	YES	NO	NO	NO	120P	YES	NO	NO	NO	YES	NO	YES	NO
KDC-303RG	X25-8442-72	YES	NO	NO	NO	120P	YES	NO	NO	NO	YES	NO	YES	NO

MODEL NAME	UNIT No.	J2	Q51	R25	R53,72-75, 99,233	R58, 110	R59	R60	R61	R62	R66, 231	
KDC-415S	X25-8430-10	E63-0853-05	NO	NO	YES	NO	NO	NO	YES	NO	YES	NO
KDC-4015	X25-8430-11	E63-0853-05	NO	NO	YES	NO	NO	NO	YES	NO	YES	NO
KDC-315S	X25-8430-12	E63-0852-05	NO	NO	YES	NO	NO	NO	YES	NO	YES	NO
KDC-215S	X25-8430-13	E63-0852-05	NO	NO	NO	NO	NO	NO	YES	YES	NO	NO
KDC-35MR	X25-8430-14	E63-0852-05	NO	NO	NO	NO	NO	NO	YES	NO	YES	NO
KDC-4016/CG	X25-8430-21	E63-0853-05	NO	YES	YES	NO	YES	NO	YES	NO	YES	NO
KDC-2016	X25-8430-22	E63-0852-05	NO	YES	NO	NO	NO	NO	YES	NO	YES	NO
KDC-3016RG	X25-8430-23	E63-0852-05	YES	NO	NO	YES	NO	YES	NO	YES	YES	YES
KDC-4080RV	X25-8432-71	E63-0853-05	YES	YES	YES	YES	YES	NO	YES	NO	YES	YES
KDC-4080RVY	X25-8432-73	E63-0853-05	YES	YES	YES	YES	YES	NO	YES	NO	YES	YES
KDC-3080RYG	X25-8432-72	E63-0852-05	YES	YES	NO	YES	NO	YES	NO	YES	NO	YES
KDC-4080R	X25-8442-70	E63-0853-05	YES	YES	YES	YES	YES	NO	YES	NO	YES	YES
KDC-4080RV	X25-8442-71	E63-0853-05	YES	YES	YES	YES	YES	NO	YES	NO	YES	YES
KDC-3080RG	X25-8442-72	E63-0852-05	YES	YES	NO	YES	NO	YES	NO	YES	NO	YES
KDC-3080RA	X25-8442-72	E63-0852-05	YES	YES	NO	YES	NO	YES	NO	YES	NO	YES
KDC-303RG	X25-8442-72	E63-0852-05	YES	YES	NO	YES	NO	YES	NO	YES	NO	YES

MODEL NAME	UNIT No.	R104	R105	R234	R237	W1	A1	IC1	IC4
KDC-415S	X25-8430-10	NO	YES	YES	NO	NO	X86-3160-11	UPD780058GC144	TDA7386
KDC-4015	X25-8430-11	NO	YES	YES	NO	NO	X86-3160-11	UPD780058GC144	TDA7386
KDC-315S	X25-8430-12	NO	YES	YES	NO	NO	X86-3160-11	UPD780058GC144	TDA7386
KDC-215S	X25-8430-13	NO	YES	YES	NO	NO	X86-3160-11	UPD780058GC144	TDA7386
KDC-35MR	X25-8430-14	YES	NO	YES	YES	NO	X86-3160-11	UPD780058GC130	TDA7386
KDC-4016/CG	X25-8430-21	NO	YES	YES	NO	NO	X86-3160-11	UPD780058GC144	TDA7386
KDC-2016	X25-8430-22	YES	NO	YES	NO	NO	X86-3160-11	UPD780058GC144	TDA7386
KDC-3016RG	X25-8430-23	NO	NO	NO	NO	NO	X86-3162-70	UPD780058GC107	TDA7386
KDC-4080RV	X25-8432-71	NO	NO	YES	NO	YES	X86-3162-70	UPD780058GC107	TDA7384A
KDC-4080RVY	X25-8432-73	NO	NO	YES	NO	YES	X86-3162-70	UPD780058GC107	TDA7384A
KDC-3080RYG	X25-8432-72	NO	NO	NO	NO	YES	X86-3162-70	UPD780058GC107	TDA7384A
KDC-3080RYA	X25-8432-72	NO	NO	NO	NO	YES	X86-3162-70	UPD780058GC107	TDA7384A
KDC-4080R	X25-8442-70	NO	NO	YES	NO	YES	X86-3172-70	UPD780058GC107	TDA7384A
KDC-4080RV	X25-8442-71	NO	NO	YES	NO	YES	X86-3172-70	UPD780058GC107	TDA7384A
KDC-3080RG	X25-8442-72	NO	NO	NO	NO	YES	X86-3172-70	UPD780058GC107	TDA7384A
KDC-3080RA	X25-8442-72	NO	NO	NO	NO	YES	X86-3172-70	UPD780058GC107	TDA7384A
KDC-303RG	X25-8442-72	NO	NO	NO	NO	YES	X86-3172-70	UPD780058GC107	TDA7384A

**CAUTION:** For continued safety, replace safety critical components only with manufacturer's recommended parts (refer to parts list).  
 ⚠ Indicates safety critical components. To reduce the risk of electric shock, leakage-current or resistance measurements shall be carried out (exposed parts are acceptably insulated from the supply circuit) before the appliance is returned to the customer.  
 • DC voltages are as measured with a high impedance voltmeter. Values may vary slightly due to variations between individual instruments or/and units.



(X13-9680-1X)

MODEL NAME	UNIT No.	DESTINATION	(A)	(B)	(C)	R11	R19
KDC-415S	X13-968	0-10	YES	NO	YES	NO	390
KDC-4015			NO	YES	NO	470	
KDC-4016/CG		0-11	YES	NO	YES	NO	470
KDC-315S			NO	B30-1513-05	YES	NO	470
KDC-35MR			NO	B30-1485-05 or B30-1543-05	NO	YES	470

MODEL NAME	DESTINATION	R20	R21	D17	C7	ED1
KDC-415S	0-10	270	NO	B30-1564-05	YES	B38-1027-05
KDC-4015						
KDC-4016/CG		270	NO	B30-1533-05	NO	B38-1027-05
KDC-315S						
KDC-35MR						
KDC-215S	0-13	13	YES	B30-1533-05	NO	B38-1027-05
KDC-2016						

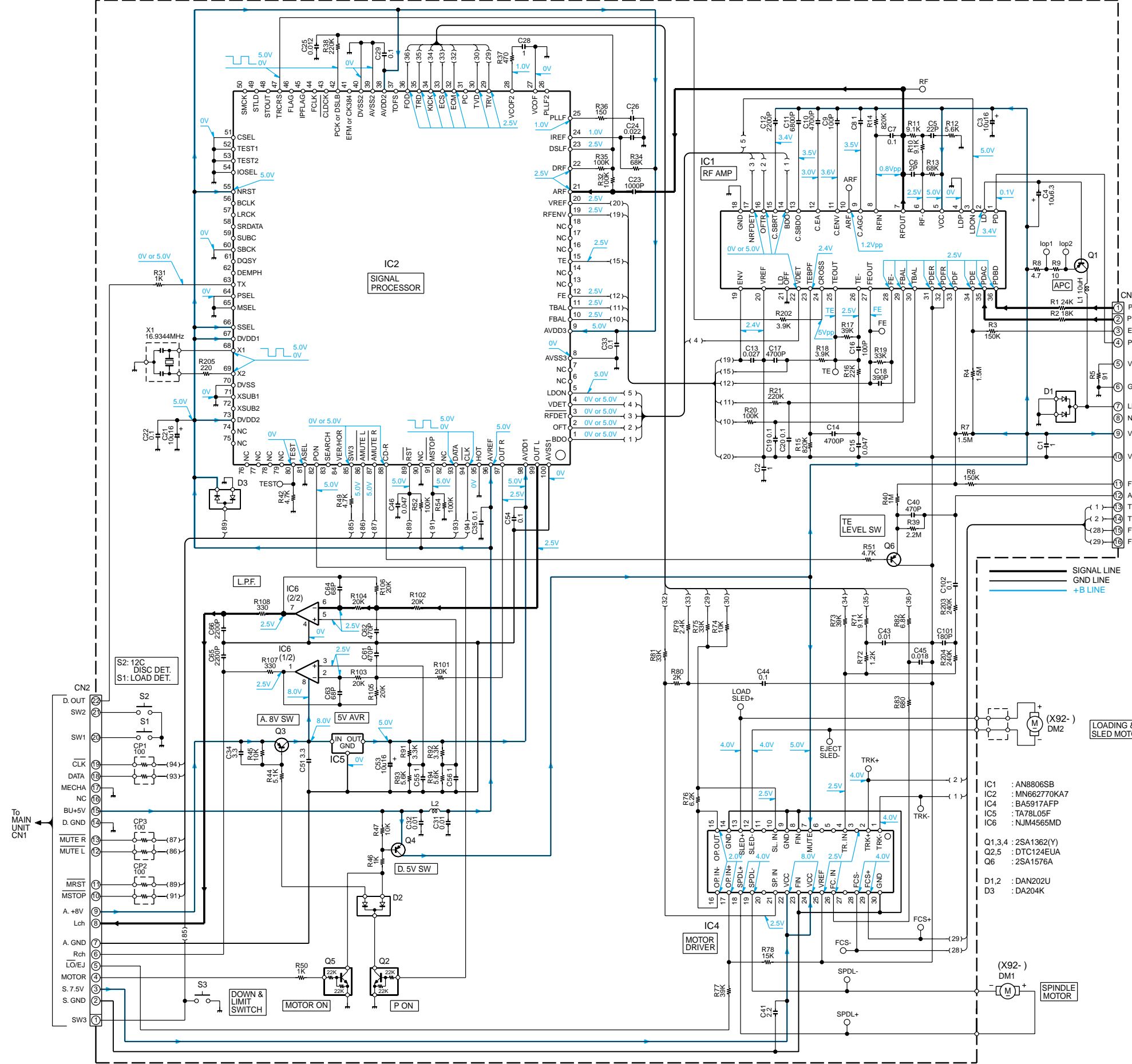
- IC1 : LC75853NE
- IC2 : RS-171
- Q1 : DTA114EK or UN2111
- D1-16 : B30-1533-05
- D17 : \*
- D18,19 : B30-1572-05
- D22,23 : DA204K

# KDC-2016/215S/35MR

**CAUTION:** For continued safety, replace safety critical components only with manufacturer's recommended parts (refer to parts list).  
 △ Indicates safety critical components. To reduce the risk of electric shock, leakage-current or resistance measurements shall be carried out (exposed parts are acceptably insulated from the supply circuit) before the appliance is returned to the customer.

• DC voltages are as measured with a high impedance voltmeter. Values may vary slightly due to variations between individual instruments or/and units.

CD PLAYER UNIT  
DXM-1330 : (X32-4600-00)



(X92-) DPU1 (T25-0209-05)

OPTICAL PICKUP

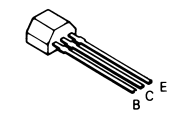
SIGNAL LINE  
GND LINE  
+B LINE

(X92-) DM2  
LOADING & SLED MOTOR

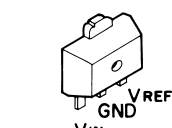
(X92-) DM1  
SPINDLE MOTOR

- IC1 : AN8806SB
- IC2 : MN62770KA7
- IC4 : BA5917AFP
- IC5 : TA78L05F
- IC6 : NJM4565MD
- Q1,3,4 : 2SA1362(Y)
- Q2,5 : DTC124EUA
- Q6 : 2SA1576A
- D1,2 : DAN202U
- D3 : DA204K

2SC1740S

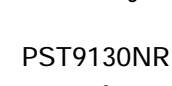


TA78L05F

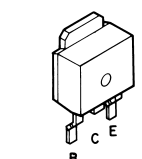


DTA114EK DTA124EK  
DTC114YK DTC124EK  
DTC143TK DTC144EK  
2SA1036K 2SA1362  
2SA1576A

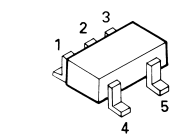
DA204K



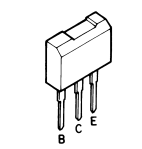
2SB1184



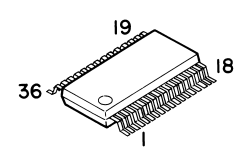
PST9130NR



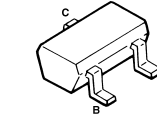
2SB1277



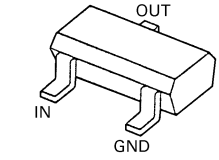
AN8806SB



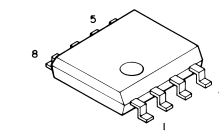
2SA1037K



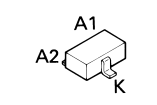
DTC124EUA



NJM4565MD



DAN202U



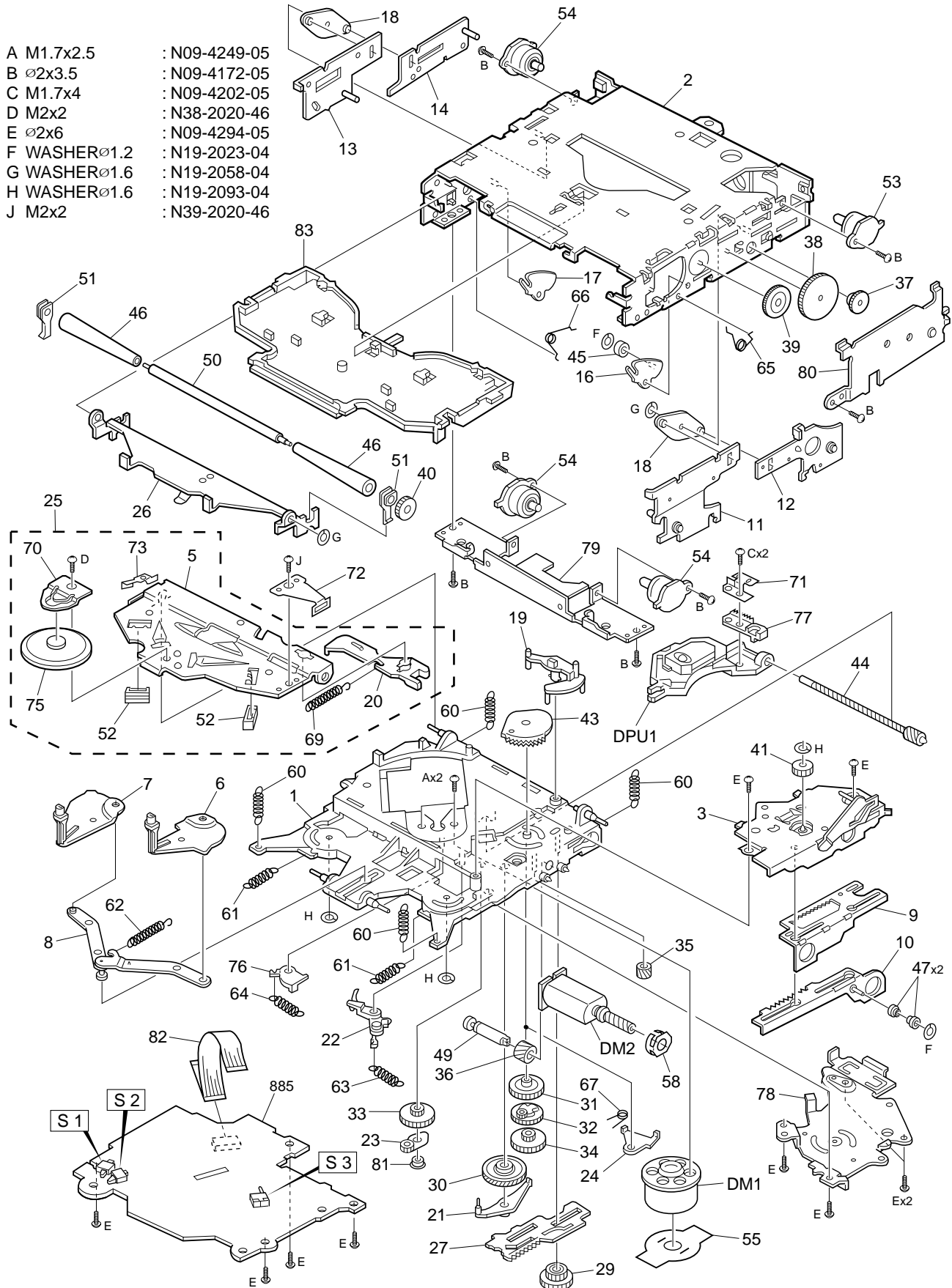
KDC-2016/215S/35MR

KENWOOD

# KDC-2016/215S/35MR

## EXPLODED VIEW (MECHANISM)

- |   |            |   |             |
|---|------------|---|-------------|
| A | M1.7x2.5   | : | N09-4249-05 |
| B | ∅2x3.5     | : | N09-4172-05 |
| C | M1.7x4     | : | N09-4202-05 |
| D | M2x2       | : | N38-2020-46 |
| E | ∅2x6       | : | N09-4294-05 |
| F | WASHER∅1.2 | : | N19-2023-04 |
| G | WASHER∅1.6 | : | N19-2058-04 |
| H | WASHER∅1.6 | : | N19-2093-04 |
| J | M2x2       | : | N39-2020-46 |

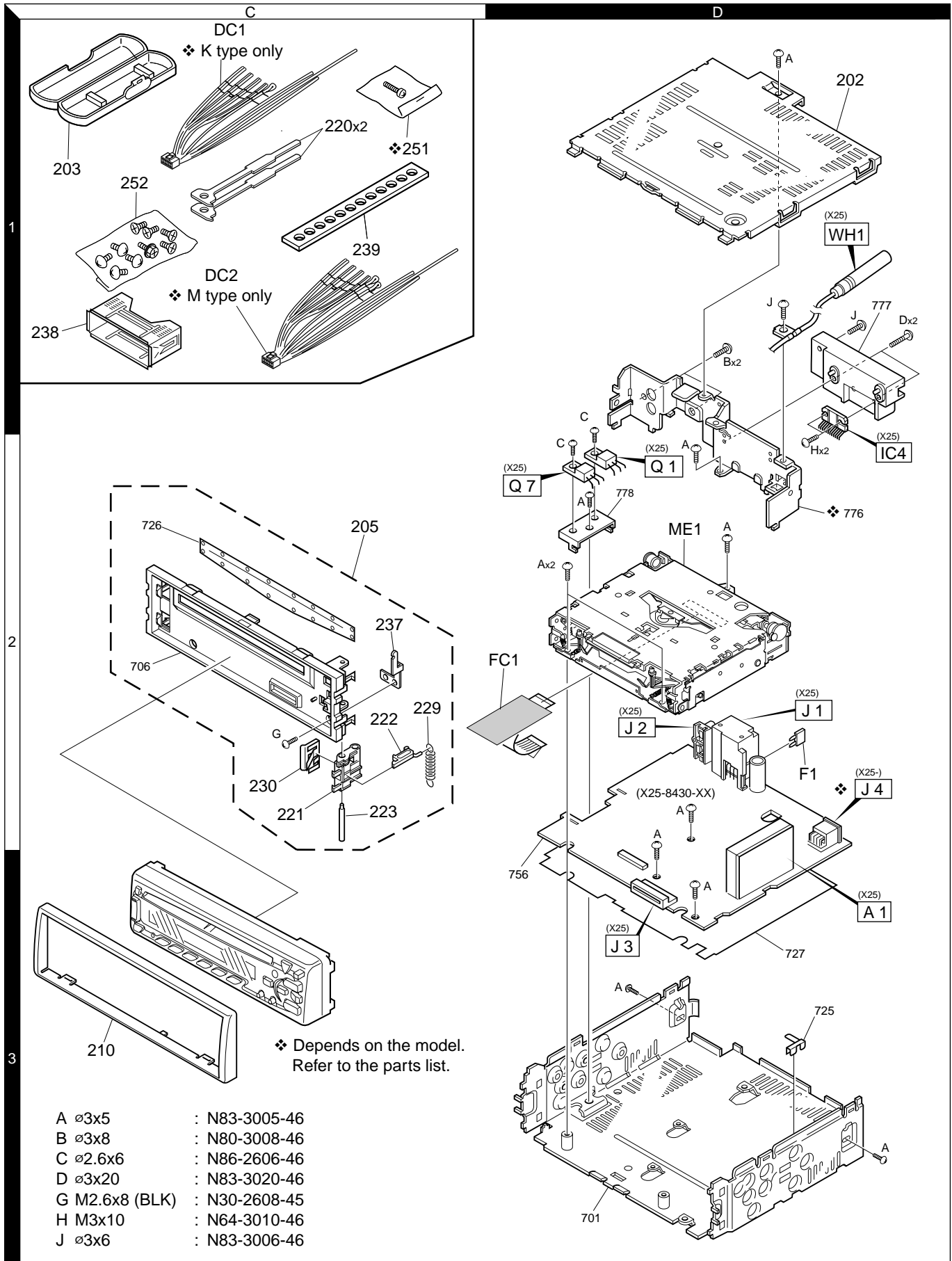


Parts with the exploded numbers larger than 700 are not supplied.



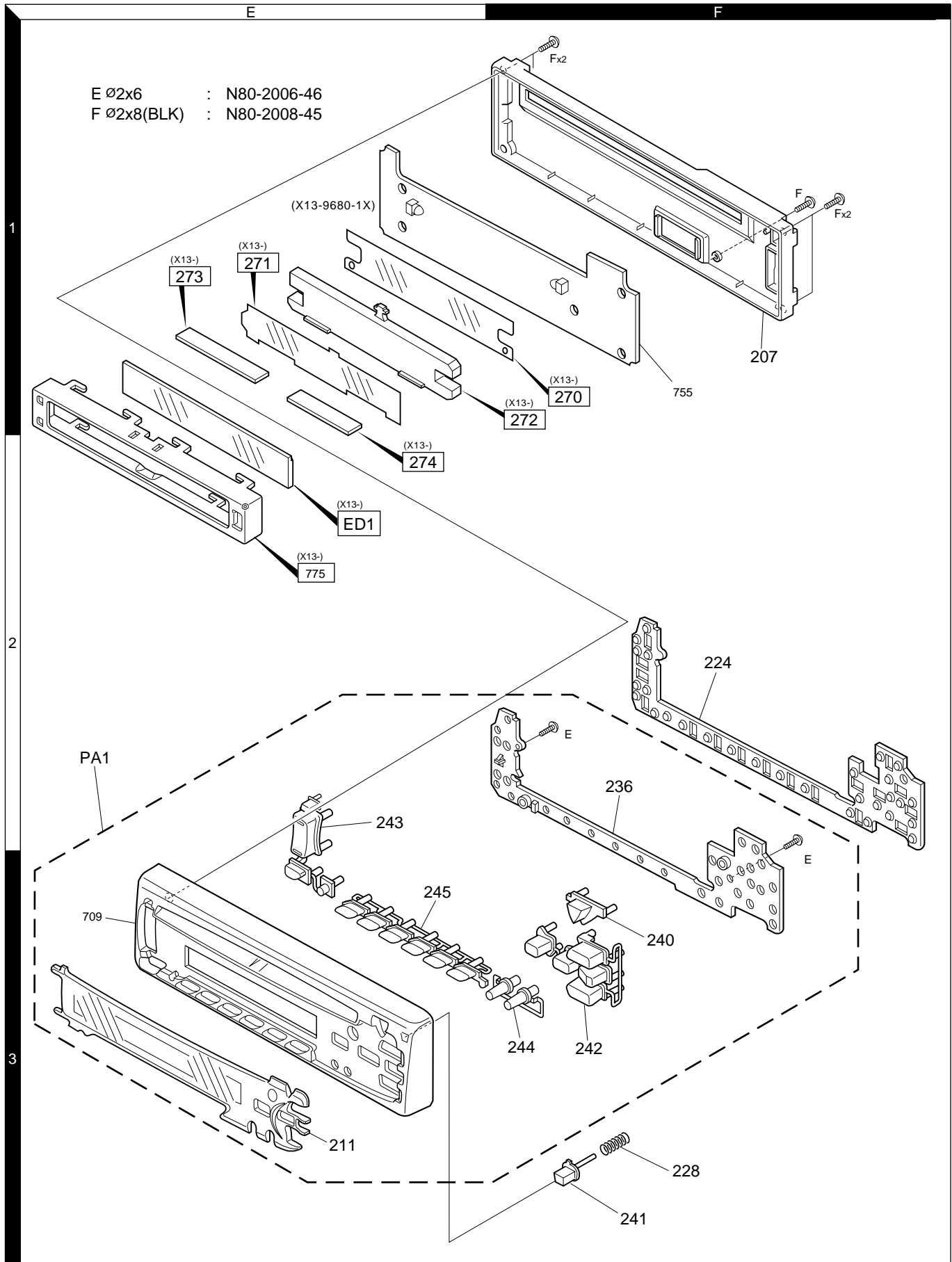
# KDC-2016/215S/35MR

## EXPLODED VIEW (UNIT)



# KDC-2016/215S/35MR

## EXPLODED VIEW (UNIT)



Parts with the exploded numbers larger than 700 are not supplied.

# KDC-2016/215S/35MR

## PARTS LIST

\*New Parts

Parts without **Parts No.** are not supplied.

Les articles non mentionnés dans le **Parts No.** ne sont pas fournis.

Teile ohne **Parts No.** werden nicht geliefert.

**KDC-2016/215S/35MR**  
**SWITCH UNIT (X13-9680-1X)**  
**ELECTRIC UNIT (X25-8430-XX)**

Ref. No.	A d d	N e w	Parts No.	Description	Dest inati on
<b>KDC-2016/215S/35MR</b>					
202	1D		A52-0739-12	TOP PLATE	
203	1C		A02-1486-13	PLASTIC CABINET ASSY	
205	2C	*	A22-2393-03	SUB PANEL ASSY	
207	1F	*	A46-1655-01	REAR COVER	
PA1	2E	*	A64-1888-02	PANEL ASSY	K3
PA1	2E	*	A64-1889-02	PANEL ASSY	K4
PA1	2E	*	A64-1891-02	PANEL ASSY	M2
210	3C	*	B07-2169-02	ESCUTCHEON	K4
210	3C	*	B07-2181-02	ESCUTCHEON	K3M2
211	3E	*	B10-3122-01	FRONT GLASS	K3
211	3E	*	B10-3123-01	FRONT GLASS	K4
211	3E	*	B10-3125-01	FRONT GLASS	M2
-			B46-0100-50	WARRANTY CARD	
-			B46-0606-04	ID CARD	
-			B58-1344-04	CAUTION CARD	
-		*	B64-1546-00	INST.MANUAL (ENG,FRE)	K3
-		*	B64-1547-00	INST.MANUAL (SPA,POR)	K3K4
-		*	B64-1548-00	INST.MANUAL (ENG,CHI)	M2
-		*	B64-1642-00	INST.MANUAL (ARABIC)	M2
220	1C		D10-3031-04	LEVER	
221	2C		D10-4051-33	LEVER	
222	2C		D10-4052-03	LEVER	
223	2C		D21-2250-04	SHAFT	
224	2F		E29-1571-02	CONDUCTIVE RUBBER	
DC1	1C	*	E30-4783-05	DC CORD	K3K4
DC2	1C	*	E30-4784-05	DC CORD	M2
FC1	2D		E39-0180-05	FLAT CABLE	
△ △ F1	2D		F52-0006-05	FUSE(MINI BLADE TYPE) (10A)	
△ △ F1	2D	*	F52-0011-05	FUSE(MINI BLADE TYPE) (10A)	
228	3F		G01-2738-04	COMPRESSION SPRING	
229	2C		G01-2792-04	EXTENSION SPRING	
230	2C		G02-1244-03	FLAT SPRING	
-		*	H10-4693-02	POLYSTYRENE FOAMED FIXTURE	
-		*	H25-0329-04	PROTECTION BAG (280X450X0.03)	
-		*	H25-0337-04	PROTECTION BAG (180X300X0.03)	
-		*	H54-1633-03	ITEM CARTON CASE	K3
-		*	H54-1634-03	ITEM CARTON CASE	K4
-		*	H54-1636-03	ITEM CARTON CASE	M2
236	2F		J19-4878-22	HOLDER	
237	2C		J21-7726-04	MOUNTING HARDWARE	
238	1C	*	J21-9491-03	MOUNTING HARDWARE ASSY	
239	1C		J54-0606-04	STAY	
240	3F		K24-1924-14	KNOB (SRC)	
241	3F		K24-1948-14	KNOB (RELEASE)	
242	3F		K25-0965-03	KNOB (FM,AM,UP,DOWN,AUD)	
243	2E		K25-0967-03	KNOB (VOL,ATT,EJECT)	
244	3F		K25-1036-03	KNOB (AUTO,CLK)	
245	3E		K25-1037-03	KNOB (PRESET1-6)	
251	1C		N99-1610-15	SCREW SET	K3M2

Ref. No.	A d d	N e w	Parts No.	Description	Dest inati on
252	1C		N99-1632-05	SCREW SET	
A	1D		N83-3005-46	PAN HEAD TAPTITE SCREW	
E	2F		N80-2006-46	PAN HEAD TAPTITE SCREW	
F	1F		N80-2008-45	PAN HEAD TAPTITE SCREW	
G	2C		N30-2608-45	PAN HEAD MACHINE SCREW	
ME1	2D		X92-3590-00	CD MECHANISM ASSY	
<b>SWITCH UNIT (X13-9680-1X)</b>					
270	1F		B11-0974-04	REFLECTION SHEET	
271	1E		B11-0975-04	OPTICAL DIFFUSER	K3M2
271	1E	*	B11-0995-04	OPTICAL DIFFUSER	K4
272	1E		B19-1164-33	LIGHTING BOARD	
D1 -17			B30-1533-05	LED(1608,PG)	
ED1	2E	*	B38-1027-05	LIQUID CRYSTAL	K3M2
ED1	2E	*	B38-1031-05	LIQUID CRYSTAL	K4
PL1 ,2			B30-1485-05	LAMP (5.5V 0.125A)	K3M2
PL1 ,2			B30-1513-05	LAMP (5.5V 0.125A)	K4
PL1 ,2			B30-1543-05	LAMP (GRN,5.5V,0.12)	K3M2
C1			CK73FB1H821K	CHIP C 820PF K	
C2 ,3			CK73FB1E473K	CHIP C 0.047UF K	
C4			CK73FB1H103K	CHIP C 0.010UF K	
C5			CK73EB1C225K	CHIP C 2.2UF K	K4
273	1E		E29-1575-04	CONDUCTIVE RUBBER (L)	
274	2E		E29-1579-04	CONDUCTIVE RUBBER (R)	
J1			E59-0828-05	RECTANGULAR PLUG (15P)	
CP1 ,2			R90-0724-05	MULTI-COMP 1K X4	
R2 ,3			RK73FB2A471J	CHIP R 470 J 1/10W	
R4			RK73FB2A751J	CHIP R 750 J 1/10W	
R5			RK73FB2A102J	CHIP R 1.0K J 1/10W	
R7			RK73FB2A102J	CHIP R 1.0K J 1/10W	
R8			RK73FB2A683J	CHIP R 68K J 1/10W	
R9			RK73FB2A102J	CHIP R 1.0K J 1/10W	
R10			RK73EB2B4R7J	CHIP R 4.7 J 1/8W	
R11			RK73FB2A104J	CHIP R 100K J 1/10W	K3M2
R12			RK73FB2A102J	CHIP R 1.0K J 1/10W	K4
R13			RK73FB2A470J	CHIP R 47 J 1/10W	K4
R14 -18			RK73EB2B331J	CHIP R 330 J 1/8W	
R19			RK73EB2B471J	CHIP R 470 J 1/8W	
R20 ,21			RK73EB2B130J	CHIP R 13 J 1/8W	
D22 ,23			DA204K	DIODE	
IC1			LC75853NE	MOS-IC	
IC2			RS-171	ANALOGUE IC	K4
Q1			DTA114EK	DIGITAL TRANSISTOR	
Q1			UN2111	DIGITAL TRANSISTOR	
<b>ELECTRIC UNIT (X25-8430-XX)</b>					
C1			C90-5235-05	ELECTRO 2200UF 16WV	
C2			CE04DW1C101M	ELECTRO 100UF 16WV	
C3			CK73FB1H103K	CHIP C 0.010UF K	
C4			C90-2594-05	ELECTRO 10UF 10WV	
C5			CE04CW0J101M	ELECTRO 100UF 6.3WV	
C6			CE04CW1C101M	ELECTRO 100UF 16WV	
C7 ,8			CE04CW1A101M	ELECTRO 100UF 10WV	
C9			CK73FB1E473K	CHIP C 0.047UF K	
C10			CK73FB1H102K	CHIP C 1000PF K	
C11 ,12			CK73FB1H103K	CHIP C 0.010UF K	

K3:KDC-215S K4:KDC-35MR M2:KDC-2016

## PARTS LIST

\*New Parts

Parts without **Parts No.** are not supplied.

Les articles non mentionnes dans le **Parts No.** ne sont pas fournis.

Teile ohne **Parts No.** werden nicht geliefert.

ELECTRIC UNIT (X25-8430-XX)

Ref. No.	Add	New	Parts No.	Description	Destination
C14			C90-2598-05	ELECTRO 3.3UF 25WV	
C15			CK73FB1E683K	CHIP C 0.068UF K	
C16			C90-2602-05	ELECTRO 0.10UF 50WV	
C17			CE04DW1C101M	ELECTRO 100UF 16WV	
C50			CE04CW0J101M	ELECTRO 100UF 6.3WV	
C51			CK73FB1H103K	CHIP C 0.010UF K	
C52			CK73FB1C104K	CHIP C 0.10UF K	
C53, 54			CC73FCH1H150J	CHIP C 15PF J	
C55			CK73FB1H472K	CHIP C 4700PF K	
C150-153		*	C90-5296-05	ELECTRO 0.22UF 50WV	
C154			CE04CW1A101M	ELECTRO 100UF 10WV	
C155			C90-2608-05	ELECTRO 1.0UF 50WV	
C156			C90-2935-05	ELECTRO 1.0UF 50WV	
C157			C90-2608-05	ELECTRO 1.0UF 50WV	
C160,161			C90-2597-05	ELECTRO 10UF 16WV	
C162			CK73FB1H103K	CHIP C 0.010UF K	
C163			C90-2608-05	ELECTRO 1.0UF 50WV	
C164,165			C90-2610-05	ELECTRO 2.2UF 50WV	
C166			CE04CW1A101M	ELECTRO 100UF 10WV	
C167			CK73FB1H103K	CHIP C 0.010UF K	
C168			CK73FB1H153K	CHIP C 0.015UF K	
C169			CK73FB1C224K	CHIP C 0.22UF K	
C170			CC73FCH1H151J	CHIP C 150PF J	
C171			CK73FB1E333K	CHIP C 0.033UF K	
C172			CK73FB1C823K	CHIP C 0.082UF K	
C173			CK73FB1C104K	CHIP C 0.10UF K	
C174			CK73FB1H103K	CHIP C 0.010UF K	
C200			CE04CW1A101M	ELECTRO 100UF 10WV	K4
C201,202			C90-2608-05	ELECTRO 1.0UF 50WV	K4
C203,204			CK73FB1H103K	CHIP C 0.010UF K	
C207			CE04CW1A101M	ELECTRO 100UF 10WV	
C208			CK73FB1H103K	CHIP C 0.010UF K	
C209			CK73FB1C104K	CHIP C 0.10UF K	
C219,220			CK73FB1H103K	CHIP C 0.010UF K	
C222,223			CK73FB1H103K	CHIP C 0.010UF K	
CN1			E40-9550-05	FLAT CABLE CONNECTOR (22P)	
CN2			E40-3246-05	PIN ASSY (2P)	K4
J1	2D		E58-0863-15	RECTANGULAR RECEPTACLE (16P)	
J2	2D		E63-0852-05	PIN JACK (2P)	
J3	3D		E58-0879-05	RECTANGULAR RECEPTACLE (15P)	
J4	2D		E56-0809-05	CYLINDRICAL RECEPTACLE (13P)	K4
WH1	1D		E30-4440-05	CORD WITH PLUG	
L1			L33-1119-05	CHOKO COIL ASSY	
L2, 3			L40-4795-91	SMALL FIXED INDUCTOR(4.7UH,J)	
L4			L33-1123-05	LINE FILTER COIL	
L5 -7			L40-4795-91	SMALL FIXED INDUCTOR(4.7UH,J)	
L9			L40-4795-91	SMALL FIXED INDUCTOR(4.7UH,J)	
X1			L77-1167-05	CRYSTAL RESONATOR(4.19MHZ)	
B	1D		N80-3008-46	PAN HEAD TAPTITE SCREW	
C	2D		N86-2606-46	BINDING HEAD TAPTITE SCREW	
D	1D		N83-3020-46	PAN HEAD TAPTITE SCREW	
H	2D		N64-3010-46	PAN HEAD SEMS SCREW	
J	1D		N83-3006-46	PAN HEAD TAPTITE SCREW	

Ref. No.	Add	New	Parts No.	Description	Destination
R1			RK73FB2A223J	CHIP R 22K J 1/10W	
R2			RK73FB2A101J	CHIP R 100 J 1/10W	
R3			RK73FB2A103J	CHIP R 10K J 1/10W	
R4			RK73FB2A102J	CHIP R 1.0K J 1/10W	
R5			RD14DB2H2R2J	SMALL-RD 2.2 J 1/2W	
R6			RK73FB2A102J	CHIP R 1.0K J 1/10W	
R7			RD14DB2H2R2J	SMALL-RD 2.2 J 1/2W	
R8			RK73FB2A152J	CHIP R 1.5K J 1/10W	
R9			RK73FB2A102J	CHIP R 1.0K J 1/10W	
R10			RK73FB2A203J	CHIP R 20K J 1/10W	
R11, 12			RK73FB2A103J	CHIP R 10K J 1/10W	
R13			RK73FB2A104J	CHIP R 100K J 1/10W	
R14			RD14DB2H332J	SMALL-RD 3.3K J 1/2W	
R16			RD14BB2C333J	RD 33K J 1/6W	
R17			RK73FB2A103J	CHIP R 10K J 1/10W	
R18			RK73FB2A104J	CHIP R 100K J 1/10W	
R23			RK73FB2A473J	CHIP R 47K J 1/10W	
R24			RK73FB2A562J	CHIP R 5.6K J 1/10W	
R25			RK73EB2B472J	CHIP R 4.7K J 1/8W	M2
R26			RD14DB2H102J	SMALL-RD 1.0K J 1/2W	M2
R27			RK73FB2A223J	CHIP R 22K J 1/10W	M2
R28			RK73EB2B472J	CHIP R 4.7K J 1/8W	
R29			RD14DB2H102J	SMALL-RD 1.0K J 1/2W	
R30			RK73FB2A223J	CHIP R 22K J 1/10W	
R31			RD14DB2H102J	SMALL-RD 1.0K J 1/2W	K3K4
R31, 32			RD14DB2H102J	SMALL-RD 1.0K J 1/2W	M2
R50			RK73FB2A104J	CHIP R 100K J 1/10W	
R51			RK73FB2A225J	CHIP R 2.2M J 1/10W	
R52			RK73FB2A222J	CHIP R 2.2K J 1/10W	
R53			RK73FB2A104J	CHIP R 100K J 1/10W	K4
R54, 55			RK73FB2A222J	CHIP R 2.2K J 1/10W	
R57			RK73FB2A222J	CHIP R 2.2K J 1/10W	
R59			RK73FB2A473J	CHIP R 47K J 1/10W	K4
R60			RK73FB2A473J	CHIP R 47K J 1/10W	M2
R60, 61			RK73FB2A473J	CHIP R 47K J 1/10W	K3
R62 -64			RK73FB2A473J	CHIP R 47K J 1/10W	K4M2
R63, 64			RK73FB2A473J	CHIP R 47K J 1/10W	K3
R65			RK73FB2A102J	CHIP R 1.0K J 1/10W	
R67			RK73FB2A222J	CHIP R 2.2K J 1/10W	
R68			RK73FB2A471J	CHIP R 470 J 1/10W	
R69			RK73FB2A104J	CHIP R 100K J 1/10W	
R71			RK73FB2A471J	CHIP R 470 J 1/10W	
R72, 73			RK73FB2A104J	CHIP R 100K J 1/10W	K4
R74, 75			RK73FB2A470J	CHIP R 47 J 1/10W	K4
R77			RK73FB2A101J	CHIP R 100 J 1/10W	
R78			RK73FB2A472J	CHIP R 4.7K J 1/10W	
R80, 81			RK73FB2A102J	CHIP R 1.0K J 1/10W	
R82			RK73FB2A222J	CHIP R 2.2K J 1/10W	
R83			RK73FB2A102J	CHIP R 1.0K J 1/10W	
R86, 87			RK73FB2A222J	CHIP R 2.2K J 1/10W	
R88, 89			RK73FB2A102J	CHIP R 1.0K J 1/10W	
R90			RK73FB2A101J	CHIP R 100 J 1/10W	
R91, 92			RK73FB2A102J	CHIP R 1.0K J 1/10W	
R94			RK73FB2A104J	CHIP R 100K J 1/10W	
R95, 96			RK73FB2A103J	CHIP R 10K J 1/10W	

K3:KDC-215S K4:KDC-35MR M2:KDC-2016

△ indicates safety critical components.

## PARTS LIST

\*New Parts

Parts without **Parts No.** are not supplied.

Les articles non mentionnes dans le **Parts No.** ne sont pas fournis.

Teile ohne **Parts No.** werden nicht geliefert.

### ELECTRIC UNIT (X25-8430-XX)

Ref. No.	A d d	N e w	Parts No.	Description	Dest inati on
R97			RK73FB2A472J	CHIP R 4.7K J 1/10W	
R99			RK73FB2A470J	CHIP R 47 J 1/10W	K4
R100			RK73FB2A223J	CHIP R 22K J 1/10W	
R101			RK73FB2A333J	CHIP R 33K J 1/10W	
R103			RK73FB2A102J	CHIP R 1.0K J 1/10W	
R104			RK73FB2A473J	CHIP R 47K J 1/10W	K4M2
R105			RK73FB2A473J	CHIP R 47K J 1/10W	K3
R108			RK73FB2A473J	CHIP R 47K J 1/10W	
R112			RK73FB2A682J	CHIP R 6.8K J 1/10W	
R150-153			RK73FB2A472J	CHIP R 4.7K J 1/10W	
R154			RK73FB2A102J	CHIP R 1.0K J 1/10W	
R156			RK73FB2A751J	CHIP R 750 J 1/10W	
R157			RK73FB2A431J	CHIP R 430 J 1/10W	
R158			RK73FB2A154J	CHIP R 150K J 1/10W	
R159			RK73FB2A273J	CHIP R 27K J 1/10W	
R162,163			RK73EB2B181J	CHIP R 180 J 1/8W	
R166,167			RK73FB2A223J	CHIP R 22K J 1/10W	
R170,171			RK73FB2A361J	CHIP R 360 J 1/10W	
R172			RK73FB2A101J	CHIP R 100 J 1/10W	
R173			RK73FB2A104J	CHIP R 100K J 1/10W	
R174			RK73FB2A272J	CHIP R 2.7K J 1/10W	
R175			RK73FB2A472J	CHIP R 4.7K J 1/10W	
R176			RK73FB2A104J	CHIP R 100K J 1/10W	
R177			RK73FB2A471J	CHIP R 470 J 1/10W	
R178			RK73FB2A222J	CHIP R 2.2K J 1/10W	
R179			RK73FB2A104J	CHIP R 100K J 1/10W	
R180			RK73FB2A222J	CHIP R 2.2K J 1/10W	
R181			RK73FB2A102J	CHIP R 1.0K J 1/10W	K4
R200			RK73EB2B470J	CHIP R 47 J 1/8W	K4
R201,202			RK73EB2B472J	CHIP R 4.7K J 1/8W	K4
R203			RK73EB2B4R7J	CHIP R 4.7 J 1/8W	K4
R204-206			RK73EB2B222J	CHIP R 2.2K J 1/8W	K4
R207,208			RK73EB2B470J	CHIP R 47 J 1/8W	K4
R209,210			RK73EB2B100J	CHIP R 10 J 1/8W	K4
R211			RK73FB2A223J	CHIP R 22K J 1/10W	
R212			RK73EB2B102J	CHIP R 1.0K J 1/8W	
R213			RK73FB2A223J	CHIP R 22K J 1/10W	
R214			RK73EB2B102J	CHIP R 1.0K J 1/8W	
R215			RD14BB2C151J	RD 150 J 1/6W	
R216			RK73FB2A472J	CHIP R 4.7K J 1/10W	
R225			RK73FB2A473J	CHIP R 47K J 1/10W	
R226			RK73FB2A273J	CHIP R 27K J 1/10W	
R227			RK73EB2B102J	CHIP R 1.0K J 1/8W	
R228			RK73EB2B101J	CHIP R 100 J 1/8W	
R229			RK73EB2B471J	CHIP R 470 J 1/8W	
R230			RK73EB2B101J	CHIP R 100 J 1/8W	
R232			RK73EB2B222J	CHIP R 2.2K J 1/8W	
R233			RK73EB2B102J	CHIP R 1.0K J 1/8W	K4
R234			RK73EB2B470J	CHIP R 47 J 1/8W	
R235			RK73EB2B102J	CHIP R 1.0K J 1/8W	
R237			RK73FB2A102J	CHIP R 1.0K J 1/10W	K4
W6 -9			R92-2053-05	CHIP R 0 J 1/8W	
D1			S2V205A	DIODE	
D2			AM01Z	DIODE	

Ref. No.	A d d	N e w	Parts No.	Description	Dest inati on
D2			ERA15-01	DIODE	
D3			MA4056(N)-M	ZENER DIODE	
D4			MA4091(N)-L	ZENER DIODE	
D5			MA4082(N)-L	ZENER DIODE	
D6			MA4110-L	ZENER DIODE	
D7 ,8			MA4068(N)-M	ZENER DIODE	
D10 ,11			AM01Z	DIODE	M2
D10 ,11			ERA15-01	DIODE	M2
D12 ,13			AM01Z	DIODE	K3K4
D12 ,13			ERA15-01	DIODE	K3K4
D13			AM01Z	DIODE	M2
D13			ERA15-01	DIODE	M2
D14			1SS133	DIODE	
D50			1SS133	DIODE	
D150-152			1SS133	DIODE	
D153-160			AM01Z	DIODE	
D153-160			ERA15-01	DIODE	
D161,162			MA4068(N)-M	ZENER DIODE	
D164,165			1SS133	DIODE	
D166			1SS133	DIODE	K4
D200,201			MA4062-L	ZENER DIODE	K4
D204			MA4062-L	ZENER DIODE	K4
D207,208			MA4062-L	ZENER DIODE	K4
D209,210			MA4068(N)-M	ZENER DIODE	K4
D211			MA4051(N)-M	ZENER DIODE	
D250,251			DA204K	DIODE	
IC1		*	UPD780058GC130	MI-COM IC	K4
IC1		*	UPD780058GC144	MI-COM IC	K3M2
IC2		*	TDA7400D	ANALOGUE IC	
IC3		*	PST9130NR	ANALOGUE IC	
IC4	2D		TDA7386	ANALOGUE IC	
IC5			HD74HC27FP	MOS-IC	
Q1	2D		2SB1565F(E,F)	TRANSISTOR	
Q2			2SC1740S	TRANSISTOR	
Q3			DTA124EK	DIGITAL TRANSISTOR	
Q3			UN2112	DIGITAL TRANSISTOR	
Q4			DTC144EK	DIGITAL TRANSISTOR	
Q4			UN2213	DIGITAL TRANSISTOR	
Q5			2SB1184	TRANSISTOR	
Q6			2SC1740S	TRANSISTOR	
Q7	2D		2SD2396F40	TRANSISTOR	
Q8			DTC144EK	DIGITAL TRANSISTOR	
Q8			UN2213	DIGITAL TRANSISTOR	
Q9			DTA124EK	DIGITAL TRANSISTOR	
Q9			UN2112	DIGITAL TRANSISTOR	
Q10			2SB1184	TRANSISTOR	
Q11 -13			2SC1740S	TRANSISTOR	
Q14			2SA1036K	TRANSISTOR	
Q15			2SB1277(Q,R)	TRANSISTOR	M2
Q16			DTC114YK	DIGITAL TRANSISTOR	M2
Q16			UN2214	DIGITAL TRANSISTOR	M2
Q17			2SB1277(Q,R)	TRANSISTOR	
Q18			2SA1037K	TRANSISTOR	
Q19			DTA124EK	DIGITAL TRANSISTOR	
Q19			UN2112	DIGITAL TRANSISTOR	

## PARTS LIST

\*New Parts

Parts without **Parts No.** are not supplied.

Les articles non mentionnes dans le **Parts No.** ne sont pas fournis.

Teile ohne **Parts No.** werden nicht geliefert.

**ELECTRIC UNIT (X25-8430-XX)**  
**CD PLAYER UNIT (X32-4600-00)**

Ref. No.	Add	New	Parts No.	Description	Destination
Q20			DTC114YK	DIGITAL TRANSISTOR	
Q20			UN2214	DIGITAL TRANSISTOR	
Q50			DTC144EK	DIGITAL TRANSISTOR	
Q50			UN2213	DIGITAL TRANSISTOR	
Q150			DTC114YK	DIGITAL TRANSISTOR	
Q150			UN2214	DIGITAL TRANSISTOR	
Q153,154			DTC143TK	DIGITAL TRANSISTOR	
Q153,154			UN2216	DIGITAL TRANSISTOR	
Q155			DTA124EK	DIGITAL TRANSISTOR	
Q155			UN2112	DIGITAL TRANSISTOR	
Q156			DTC144EK	DIGITAL TRANSISTOR	
Q156			UN2213	DIGITAL TRANSISTOR	
Q200			2SB1277(Q,R)	TRANSISTOR	
Q201			DTC124EK	DIGITAL TRANSISTOR	
Q201			UN2212	DIGITAL TRANSISTOR	
Q202			2SB1277(Q,R)	TRANSISTOR	
Q203			DTC124EK	DIGITAL TRANSISTOR	
Q203			UN2212	DIGITAL TRANSISTOR	
Q207			2SA1037K	TRANSISTOR	
TH1			PTH9C42BD471Q	POSITIVE RESISTOR	
A1	3D	*	X86-3160-11	FRONT-END UNIT	

### CD PLAYER UNIT (X32-4600-00)

C1 ,2			CK73FB1A105K	CHIP C	1.0UF	K
C3			C92-1359-05	CHIP-TAN	10UF	16WV
C4			C92-0566-05	CHIP-TAN	10UF	6.3WV
C5			CC73FCH1H220J	CHIP C	22PF	J
C6			CC73FCH1H020C	CHIP C	2.0PF	C
C7			CK73FB1C104K	CHIP C	0.10UF	K
C8			CK73FB1A105K	CHIP C	1.0UF	K
C9			CC73FCH1H101J	CHIP C	100PF	J
C10			CK73FB1H472K	CHIP C	4700PF	K
C11			CK73FB1H682K	CHIP C	6800PF	K
C12			CK73FB1H222K	CHIP C	2200PF	K
C13			CK73FB1H273K	CHIP C	0.027UF	K
C14			CK73FB1H472K	CHIP C	4700PF	K
C15			CK73FB1E473K	CHIP C	0.047UF	K
C16			CC73FCH1H101J	CHIP C	100PF	J
C17			CK73FB1H472K	CHIP C	4700PF	K
C18			CK73FB1H391K	CHIP C	390PF	K
C19 ,20			CK73FB1C104K	CHIP C	0.10UF	K
C21			C92-1359-05	CHIP-TAN	10UF	16WV
C22			CK73FB1C104K	CHIP C	0.10UF	K
C23			CK73FB1H102K	CHIP C	1000PF	K
C24			CK73FB1H223K	CHIP C	0.022UF	K
C25			CK73FB1H123K	CHIP C	0.012UF	K
C26			CK73FB1A105K	CHIP C	1.0UF	K
C28			CK73FB1A105K	CHIP C	1.0UF	K
C29			CK73FB1C104K	CHIP C	0.10UF	K
C31 ,32			CK73FB1H103K	CHIP C	0.010UF	K
C33			CK73FB1C104K	CHIP C	0.10UF	K
C34			CK73EF1C335Z	CHIP C	3.3UF	Z
C35			CK73FB1C104K	CHIP C	0.10UF	K
C40			CK73FB1H471K	CHIP C	470PF	K
C41			CK73EB1C225K	CHIP C	2.2UF	K

Ref. No.	Add	New	Parts No.	Description	Destination
C43			CK73FB1H103K	CHIP C	0.010UF K
C44			CK73FB1C104K	CHIP C	0.10UF K
C45			CK73FB1H183K	CHIP C	0.018UF K
C46			CK73FB1E473K	CHIP C	0.047UF K
C51			CK73EF1C335Z	CHIP C	3.3UF Z
C53			C92-1359-05	CHIP-TAN	10UF 16WV
C54			CK73FB1C104K	CHIP C	0.10UF K
C55 ,56			CK73FB1A105K	CHIP C	1.0UF K
C61 ,62			CK73FB1H471K	CHIP C	470PF K
C63 ,64			CC73FCH1H680J	CHIP C	68PF J
C65 ,66			C93-1044-05	CERAMIC	2200PF K
C101			CC73FCH1H181J	CHIP C	180PF J
C102			CK73FB1C104K	CHIP C	0.10UF K
CN1			E40-9536-05	FLAT CABLE CONNECTOR (16P)	
CN2			E40-9339-05	FLAT CABLE CONNECTOR (22P)	
L1			L40-1001-78	SMALL FIXED INDUCTOR(10UH)	
L2			L92-0308-05	FERRITE CORE	
X1			L78-0572-05	RESONATOR (16.93MHZ)	
CP1 -3			R90-1019-05	MULTI-COMP	100 X2
R1			RK73FB2A243J	CHIP R	24K J 1/10W
R2			RK73FB2A183J	CHIP R	18K J 1/10W
R3			RK73FB2A154J	CHIP R	150K J 1/10W
R4			RK73FB2A155J	CHIP R	1.5M J 1/10W
R5			RK73FB2A910J	CHIP R	91 J 1/10W
R6			RK73FB2A154J	CHIP R	150K J 1/10W
R7			RK73FB2A155J	CHIP R	1.5M J 1/10W
R8			RK73EB2B4R7J	CHIP R	4.7 J 1/8W
R9			RK73EB2B100J	CHIP R	10 J 1/8W
R10 ,11			RK73FB2A912J	CHIP R	9.1K J 1/10W
R12			RK73FB2A562J	CHIP R	5.6K J 1/10W
R13			RK73FB2A683J	CHIP R	68K J 1/10W
R14 ,15			RK73FB2A824J	CHIP R	820K J 1/10W
R16			RK73FB2A223J	CHIP R	22K J 1/10W
R17			RK73FB2A393J	CHIP R	39K J 1/10W
R18			RK73FB2A392J	CHIP R	3.9K J 1/10W
R19			RK73FB2A333J	CHIP R	33K J 1/10W
R20			RK73FB2A104J	CHIP R	100K J 1/10W
R21			RK73FB2A224J	CHIP R	220K J 1/10W
R31			RK73FB2A102J	CHIP R	1.0K J 1/10W
R32			RK73FB2A104J	CHIP R	100K J 1/10W
R34			RK73FB2A683J	CHIP R	68K J 1/10W
R35			RK73FB2A104J	CHIP R	100K J 1/10W
R36			RK73FB2A151J	CHIP R	150 J 1/10W
R37			RK73FB2A471J	CHIP R	470 J 1/10W
R38			RK73FB2A224J	CHIP R	220K J 1/10W
R39			RK73FB2A225J	CHIP R	2.2M J 1/10W
R40			RK73FB2A105J	CHIP R	1.0M J 1/10W
R42			RK73FB2A472J	CHIP R	4.7K J 1/10W
R44			RK73FB2A512J	CHIP R	5.1K J 1/10W
R45			RK73FB2A103J	CHIP R	10K J 1/10W
R46			RK73FB2A102J	CHIP R	1.0K J 1/10W
R47			RK73FB2A103J	CHIP R	10K J 1/10W
R49			RK73FB2A472J	CHIP R	4.7K J 1/10W

# KDC-2016/215S/35MR

## PARTS LIST

\*New Parts

Parts without **Parts No.** are not supplied.

Les articles non mentionnes dans le **Parts No.** ne sont pas fournis.

Teile ohne **Parts No.** werden nicht geliefert.

### CD PLAYER UNIT (X32-4600-00) CD MECHANISM ASSY (X92-3590-00)

Ref. No.	A d d	N e w	Parts No.	Description	Dest inati on
R50			RK73FB2A102J	CHIP R 1.0K J 1/10W	
R51			RK73FB2A472J	CHIP R 4.7K J 1/10W	
R52			RK73FB2A104J	CHIP R 100K J 1/10W	
R54			RK73FB2A104J	CHIP R 100K J 1/10W	
R71			RK73FB2A912J	CHIP R 9.1K J 1/10W	
R72			RK73FB2A122J	CHIP R 1.2K J 1/10W	
R73			RK73FB2A393J	CHIP R 39K J 1/10W	
R74			RK73FB2A103J	CHIP R 10K J 1/10W	
R75			RK73FB2A333J	CHIP R 33K J 1/10W	
R76			RK73FB2A622J	CHIP R 6.2K J 1/10W	
R77			RK73FB2A393J	CHIP R 39K J 1/10W	
R78			RK73FB2A153J	CHIP R 15K J 1/10W	
R79			RK73FB2A242J	CHIP R 2.4K J 1/10W	
R80			RK73FB2A202J	CHIP R 2.0K J 1/10W	
R81			RK73FB2A333J	CHIP R 33K J 1/10W	
R82			RK73FB2A682J	CHIP R 6.8K J 1/10W	
R83			RK73FB2A681J	CHIP R 680 J 1/10W	
R91,92			RK73FB2A332J	CHIP R 3.3K J 1/10W	
R93,94			RK73FB2A562J	CHIP R 5.6K J 1/10W	
R101-106			RK73FB2A203J	CHIP R 20K J 1/10W	
R107,108			RK73FB2A331J	CHIP R 330 J 1/10W	
R202			RK73FB2A392J	CHIP R 3.9K J 1/10W	
R203,204			RK73FB2A244J	CHIP R 240K J 1/10W	
R205			RK73FB2A221J	CHIP R 220 J 1/10W	
S1,2			S68-0822-05	PUSH SWITCH	
S3			S68-0823-05	PUSH SWITCH	
D1,2			DAN202U	DIODE	
D3			DA204K	DIODE	
IC1			AN8806SB	ANALOGUE IC	
IC2			MN662770KA7	MOS-IC	
IC4			BA5917AFP	ANALOGUE IC	
IC5			TA78L05F	IC(VOLTAGE REGULATOR/ +5V)	
IC6			NJM4565MD	IC(OP AMP X2)	
Q1			2SA1362(Y)	TRANSISTOR	
Q2			DTC124EUA	DIGITAL TRANSISTOR	
Q3,4			2SA1362(Y)	TRANSISTOR	
Q5			DTC124EUA	DIGITAL TRANSISTOR	
Q6			2SA1576A	TRANSISTOR	
<b>CD MECHANISM ASSY (X92-3590-00)</b>					
1	2A		A10-4224-41	CHASSIS	
2	1B		A10-4225-33	CHASSIS CALKING ASSY	
3	2B		A11-0915-43	SUB CHASSIS CALKING ASSY	
5	2A		D10-3082-13	ARM	
6	2A		D10-4306-04	ARM ASSY	
7	2A		D10-4305-04	ARM ASSY	
8	3A		D10-3087-44	ARM ASSY	
9	3B		D10-3092-03	SLIDER	
10	3B		D10-3093-04	SLIDER ASSY	
11	2B		D10-3095-04	SLIDER ASSY	
12	2B		D10-3096-04	SLIDER ASSY	
13	1A		D10-3099-24	SLIDER ASSY	
14	1A		D10-3100-04	SLIDER ASSY	
16	1B		D10-4004-04	LEVER ASSY	

Ref. No.	A d d	N e w	Parts No.	Description	Dest inati on
17	1B		D10-4006-04	LEVER	
18	1A		D10-4007-04	LEVER	
19	2B		D10-4008-14	LEVER	
20	2A		D10-4009-23	ARM	
21	3A		D10-4010-04	LEVER	
22	3A		D10-4011-34	LEVER ASSY	
23	3A		D10-4013-14	ARM ASSY	
24	3B		D10-4050-04	ARM	
25	2A		D10-4038-23	ARM ASSY	
26	2A		D10-4123-24	LEVER ASSY	
27	3A		D13-1340-13	RACK (GEAR)	
29	3B		D13-1231-04	GEAR	
30	3A		D13-1240-04	GEAR	
31	3B		D13-1233-04	GEAR	
32	3B		D13-1234-14	GEAR ASSY	
33	3A		D13-1238-03	GEAR	
34	3B		D13-1232-04	GEAR	
35	3B		D13-1241-04	GEAR	
36	3A		D13-1242-04	GEAR	
37	1B		D13-1243-04	GEAR	
38	1B		D13-1244-04	GEAR	
39	1B		D13-1245-14	GEAR	
40	2A		D13-1246-04	GEAR	
41	2B		D13-1247-04	GEAR	
43	2B		D13-1249-04	GEAR ASSY	
44	2B		D13-1341-04	GEAR ASSY	
45	1B		D14-0668-04	ROLLER	
46	2A		D14-0670-04	ROLLER	
47	3B		D14-0674-04	ROLLER	
49	3A		D21-2228-14	SHAFT	
50	1A		D21-2229-04	SHAFT	
51	1A		D23-0925-24	RETAINER	
52	2A		D32-0614-04	STOPPER	
53	1B		D39-0223-05	DAMPER (YELLOW)	
54	2B		D39-0224-05	DAMPER (BLACK)	
55	3B		F09-1246-04	SHEET	
58	3B		F09-1266-14	SHEET	
60	2A		G01-2770-04	EXTENSION SPRING	
61	3A		G01-2771-04	EXTENSION SPRING	
62	3A		G01-2772-24	EXTENSION SPRING	
63	3A		G01-2773-14	EXTENSION SPRING	
64	3A		G01-2774-34	EXTENSION SPRING	
65	1B		G01-2775-04	TORSION COIL SPRING	
66	1B		G01-2776-14	TORSION COIL SPRING	
67	3B		G01-2777-24	TORSION COIL SPRING	
69	2A		G01-2844-04	EXTENSION SPRING	
70	2A		G02-1231-04	FLAT SPRING	
71	2B		G02-1232-14	FLAT SPRING	
72	2A		G02-1241-24	FLAT SPRING	
73	2A		G02-1248-14	FLAT SPRING	
75	2A		J11-0613-13	CLAMPER	
76	3A		J19-4678-13	HOLDER	
77	2B		J19-4679-24	HOLDER	
78	3B		J21-7684-13	MOUNTING HARDWARE	

## PARTS LIST

\*New Parts

Parts without **Parts No.** are not supplied.

Les articles non mentionnes dans le **Parts No.** ne sont pas fournis.

Teile ohne **Parts No.** werden nicht geliefert.

### CD MECHANISM ASSY (X92-3590-00)

Ref. No.	A d d	N e w	Parts No.	Description	Dest inati on
79	3B		J21-7686-13	MOUNTING HARDWARE	
80	1B		J21-7690-03	MOUNTING HARDWARE	
81	3A		J31-1032-04	COLLAR	
82	3A		J84-0060-25	FLEXIBLE PRINTED WIRING BOARD	
83	1A		J90-0757-22	GUIDE	
A	2A		N09-4249-05	MACHINE SCREW (M1.7X2.5,LOCK)	
B	1B		N09-4172-05	TAPPING SCREW (2X3.5,C)	
C	2B		N09-4202-05	STEPPED SCREW	
D	2A		N38-2020-46	PAN HEAD MACHIN SCREW	
E	3B		N09-4294-05	TAPTITE SCREW (BIND P TAPTIT)	
F	3B		N19-2023-04	FLAT WASHER	
G	2A		N19-2058-04	FLAT WASHER	
H	3A		N19-2093-04	FLAT WASHER	
J	2A		N39-2020-46	PAN HEAD MACHIN SCREW	
DM1	3B		T42-0764-04	DC MOTOR ASSY	
DM2	3B		T42-0763-04	DC MOTOR ASSY	
DPU1	2B		T25-0209-05	OPTICAL PICKUP HEAD	

Ref. No.	A d d	N e w	Parts No.	Description	Dest inati on



# KDC-2016/215S/35MR

## SPECIFICATIONS

Model		KDC-215S	KDC-35MR	KDC-2016	
FM	Frequency Range (Frequency step)	87.9MHz-107.9MHz (200kHz)	87.9MHz-107.9MHz (200kHz)	87.5MHz-108.0MHz (50kHz)	
	Channel Space Selection	50kHz/200kHz	50kHz/200kHz	50kHz/200kHz	
	Usable Sensitivity (S/N 30dB)	9.3dBf (0.8μV/75Ω)	9.3dBf (0.8μV/75Ω)	9.3dBf (0.8μV/75Ω)	
	Quieting Sensitivity (S/N 50dB)	15.2dBf (1.6μV/75Ω)	15.2dBf (1.6μV/75Ω)	15.2dBf (1.6μV/75Ω)	
	Frequency Response (±3.0dB)	30Hz-15kHz	30Hz-15kHz	30Hz-15kHz	
	S/N	70dB(MONO)	70dB(MONO)	70dB(MONO)	
	Selectivity	≥80dB(±400kHz)	≥80dB(±400kHz)	≥80dB(±400kHz)	
	Stereo Separation	40dB(1kHz)	40dB(1kHz)	40dB(1kHz)	
	AM	Frequency Range (Frequency step)	530kHz-1700kHz (10kHz)	530kHz-1700kHz (10kHz)	531kHz-1611kHz (9kHz)
Channel Space Selection		9kHz/10kHz	9kHz/10kHz	9kHz/10kHz	
Usable Sensitivity (S/N 20dB)		28dBμ (25μV)	28dBμ (25μV)	28dBμ (25μV)	
CD	Laser Diode	GaAlAs(λ=780nm)	GaAlAs(λ=780nm)	GaAlAs(λ=780nm)	
	Digital Filter(D/A)	8 times Over Sampling	8 times Over Sampling	8 times Over Sampling	
	D/A Converter	1 Bit	1 Bit	1 Bit	
	Spindle Speed	500-200rpm(CLV)	500-200rpm(CLV)	500-200rpm(CLV)	
	Wow & Flutter	Below Measurable Limit	Below Measurable Limit	Below Measurable Limit	
	Frequency Response	10Hz-20kHz(±1dB)	10Hz-20kHz(±1dB)	10Hz-20kHz(±1dB)	
	THD	0.01%(1kHz)	0.01%(1kHz)	0.01%(1kHz)	
	S/N Ratio	96dB(1kHz)	96dB(1kHz)	96dB(1kHz)	
	Dynamic Range	93dB	93dB	93dB	
	Channel Separation	85dB	85dB	85dB	
Preout Level/Load		1800mV/10kΩ(CD)	1800mV/10kΩ(CD/CD-CH)	1800mV/10kΩ(CD)	
Preout Impedance		≤600Ω	≤600Ω	≤600Ω	
AMPLIFIER	Maximum Power	45Wx4	45Wx4	45Wx4	
	Full Bandwidth Power (at less than 1% THD)	22Wx4	22Wx4	22Wx4	
TONE	Bass	100Hz±10dB	100Hz±10dB	100Hz±10dB	
	Treble	10kHz±10dB	10kHz±10dB	10kHz±10dB	
GENERAL	Operating Voltage (11V-16V allowable)	14.4V	14.4V	14.4V	
	Current Consumption	10A	10A	10A	
	Installation Size	(W)	182mm 7-3/16inch	182mm 7-3/16inch	182mm 7-3/16inch
		(H)	53mm 2-1/16inch	53mm 2-1/16inch	53mm 2-1/16inch
		(D)	160mm 6-5/16inch	160mm 6-5/16inch	160mm 6-5/16inch
Weight	3.1lbs(1.4kg)	3.1lbs(1.4kg)	3.1lbs(1.4kg)		

**KENWOOD** follows a policy of continuous advancements in development. For this reason specifications may be changed without notice.

## KENWOOD CORPORATION

14-6, Dogenzaka 1-chome, Shibuya-ku, Tokyo 150-8501 Japan

**KENWOOD SERVICE CORPORATION**  
P.O. BOX 22745, 2201 East Dominguez Street, Long Beach, CA90801-5745, U.S.A.

**KENWOOD ELECTRONICS CANADA INC.**  
6070 Kestrel Road, Mississauga, Ontario, Canada L5T 1S8

**KENWOOD ELECTRONICS LATIN AMERICA S.A.**  
P.O. BOX 55-2791, Piso 6, Plaza Chase, Cl. 47 y, Aquilino de la Guardia, Panama, Republic of Panama

**KENWOOD ELECTRONICS BRASIL LTDA.**  
Av. Moema, 170-17, Andar-Cobertura "B", Ed. Maximum Service Center, 04077-020 Moema, São Paulo-SP-Brasil

**KENWOOD ELECTRONICS UK LIMITED**  
Kenwood House, Dwight Road, Watford, Herts, WD1 8EB, United Kingdom

**KENWOOD ELECTRONICS DEUTSCHLAND GMBH**  
Rembrücker-Str. 15, 63150 Heusenstamm, Germany

**KENWOOD ELECTRONICS FRANCE S.A.**  
13, Boulevard Ney, 75018 Paris, France

**KENWOOD ELECTRONICS BELGIUM N.V.**  
Mechelsteeweg 418, B-1930 Zaventem, Belgium

**KENWOOD ELECTRONICS ITALIA S.p.A.**  
Via G. Sirtori 7/9, 20129 Milano, Italy

**KENWOOD IBÉRICA S.A.**  
Bolivia, 239-08020 Barcelona, Spain

**KENWOOD ELECTRONICS AUSTRALIA PTY. LTD. (A.C.N. 001 499 074)**  
16 Giffnock Avenue, North Ryde, N.S.W. 2113, Australia

**KENWOOD ELECTRONICS (HONG KONG) LTD.**  
Unit 3712-3724, Level 37, Tower 1, Metroplaza, 223 Hing Fong Road, Kwai Fong, N.T., Hong Kong

**KENWOOD ELECTRONICS GULF FZE**  
P.O. Box 61318, Jebel Ali, Dubai, U.A.E.

**KENWOOD ELECTRONICS (THAILAND) CO., LTD.**  
2019 New Pechburi Road, Bangkapi, Huaykwang, Bangkok, 10320 Thailand

**KENWOOD ELECTRONICS SINGAPORE PTE. LTD.**  
1 Genting Lane, #07-00, Kenwood Building, Singapore, 349544

**KENWOOD ELECTRONICS (MALAYSIA) SDN BHD**  
#4.01 Level 4, Wisma Academy Lot 4A, Jalan 19/1, 46300 Petaling Jaya, Selangor Darul Ehsan, Malaysia